



# PARTS CATALOG

Published

2012/1 (Jan.)

---

0CNP4-G53100

## Directions for the Parts Catalog.

1. The parts stipulated in this Parts Catalog are not necessarily standard equipped parts.
2. Parts may change without prior notice.
3. The following is an example of the Parts Catalog format.

REF.	LEV.	PARTS NO.	DESCRIPTION	Q'TY						I	R
				(A)	(B)	(C)	(D)	(E)	(F)		
1	1	729595-51390	FUEL INJECTION PUMP	1	1	1	1	1			1
1-1	1	729595-51391	FUEL INJECTION PUMP	1	1	1	1	1		N	1
		(A=E00185) (B=E00200)									
3	2	26022-060162	SCREW M 6X 16	9	9	9	9	9			
3-1	2	26022-060162	SCREW M 6X 16	4	4	4	4	4		K	
		(A=E00156) (B=E00156) (C=E00156) (D=E00156) (E=E00156)									
4	2	129470-51040	CAMSHAFT	1	1	1	1	1			
5	2	122710-51050	BEARING, ROLLER	2	2	2	2	2			
6	2	129470-51060	RETAINER	1	1	1	1	1			

Remarks
(1) BOOST COMPEMSATOR TYPE. OPTIONAL PART, TO E00155,(4JH-DT, 4JH-DTZ

### ① Ref. No.

The Ref. No. listed may not be in accordance with the illustration Ref. No.

(Ex.) Illustration No.

List Ref No.

1

1

(Before change)

1-1

(After change)

For interchangeable symbols N, R and K, illustrations for new parts may be abbreviated.

### ② Lev. (Level)

Level indication

The numbers below indicate the level of relativity towards the main part.

1 ----- Main parts (Assembly parts)

2 ----- Sub component included in " 1 ".

3 ----- Sub component included in " 2 ".

Note) Parts that are not for sale are partially illustrated but not listed.

### ③ Interchangeability Mark

When a part change takes place, one of the following interchangeability symbols is indicated beside the part.

Symbol	Interchangeability	Contents note
N	Old $\begin{matrix} \leftarrow \text{Yes} \\ \text{No} \rightarrow \end{matrix}$ New	New Part is interchangeable for Old Part but Old Part is not interchangeable for New Part.
Q	Old $\begin{matrix} \leftarrow \text{No} \\ \text{Yes} \rightarrow \end{matrix}$ New	New Part is not interchangeable for Old Part but Old Part is interchangeable for New Part.
R	Old $\begin{matrix} \leftarrow \text{Yes} \\ \text{Yes} \rightarrow \end{matrix}$ New	New/ Old Parts are both interchangeable.
S	Old $\begin{matrix} \leftarrow \text{No} \\ \text{No} \rightarrow \end{matrix}$ New	New/ Old Parts are both not interchangeable.
W		Part newly added.
Z		Part discontinued.
F		Not interchangeable by a single part but interchangeable together with related parts.
K		Changes only for used parts quantities.

### ④ Effective Machine No.

When a part changes, the effective Machine No. will be indicated in the (A)-(F) column.

Product Symbol	Product No.	Product Symbol	Product No.
C	Clutch No. Compressor No.	F	Machine No. (Agricultural Equip.)
D	Drive No.	M	Machine No.
E	Engine No.		

Note 1) A date may follow the symbol. (Ex.) 1996.01

Note 2) "XXXXX" and "ZZZZZ" are for parts that could not be predicted or for engine models that could not be identified.

Note 3) (A=E00185) is the E (Engine Serial Number) for the column (A) model (in this case 4JH-DT) after the parts design change.

### ⑤ Remarks Mark

Figures or alphabets (symbols) are entered in the remarks column.

The comments (remarks) on parts that are indicated at the bottom of the illustration are the same symbols as those stated above.

# CONTENTS

MODEL : KE-60(  
PC NO : 0CNP4-G53100

Fig.No.	GROUP NAME
ENGINE CONTROL SECTION	
1.	ENGINE ACCESSORIES
2.	ACCEL LEVER
3.	FUEL TANK
4.	BELT COVER
FRONT AXLE SECTION	
5.	FRONT BRACKET
6.	TIE ROD
7.	DRIVE PINION
8.	PROPELLER SHAFT
9.	FRONT AXLE CASE
10.	FRONT GEAR CASE
11.	FRONT SHAFT (2
12.	INPUT SHAFT
13.	FRONT SPINDLE
14.	FRONT WHEEL TIRE
15.	STEERING WHEEL
16.	P.S.T. PIPING
TRANSMISSION SECTION	
17.	CLUTCH HOUSING
18.	CLUTCH PEDAL
19.	TRANSMISSION CASE
20.	INPUT SHAFT
21.	MAIN SHAFT
22.	COUNTER SHAFT
23.	P.T.O. DRIVE SHAFT
24.	MAIN CHANGE
25.	SUB CHANGE

Fig.No.	GROUP NAME
26.	P.T.O. CHANGE
REAR AXLE SECTION	
27.	RING GEAR
28.	REAR HOUSING
29.	DIFFERENTIAL LOCK
30.	FINAL PINION & REAR AXLE
31.	REAR WHEEL TIRE
32.	DISK BRAKE
33.	BRAKE PEDAL
HYDRAULIC CONTROL SECTION	
34.	HYDRAULIC CYLINDER CASE
35.	HYDRAULIC SIDE COVER
36.	PISTON & LIFT CRANK
37.	CONTROL VALVE
38.	RELIEF VALVE
39.	HYDRAULIC CONTROL
40.	HYDRAULIC PIPING
ELECTRICAL PARTS SECTION	
41.	WIRE HARNESS
42.	BATTERY & SWITCHES
43.	LAMPS & HORN
44.	METER
FITTINGS SECTION	
45.	HOOD
46.	DASH BOARD
47.	FENDER

# CONTENTS

MODEL : KE-60(  
PC NO : 0CNP4-G53100

Fig.No. GROUP NAME

- 48. STEP
- 49. OPERATOR SEAT
- 50. BACK MIRROR
- 51. LABELS
- 52. LABELS(SAFETY)

## ACCESSORIES SECTION

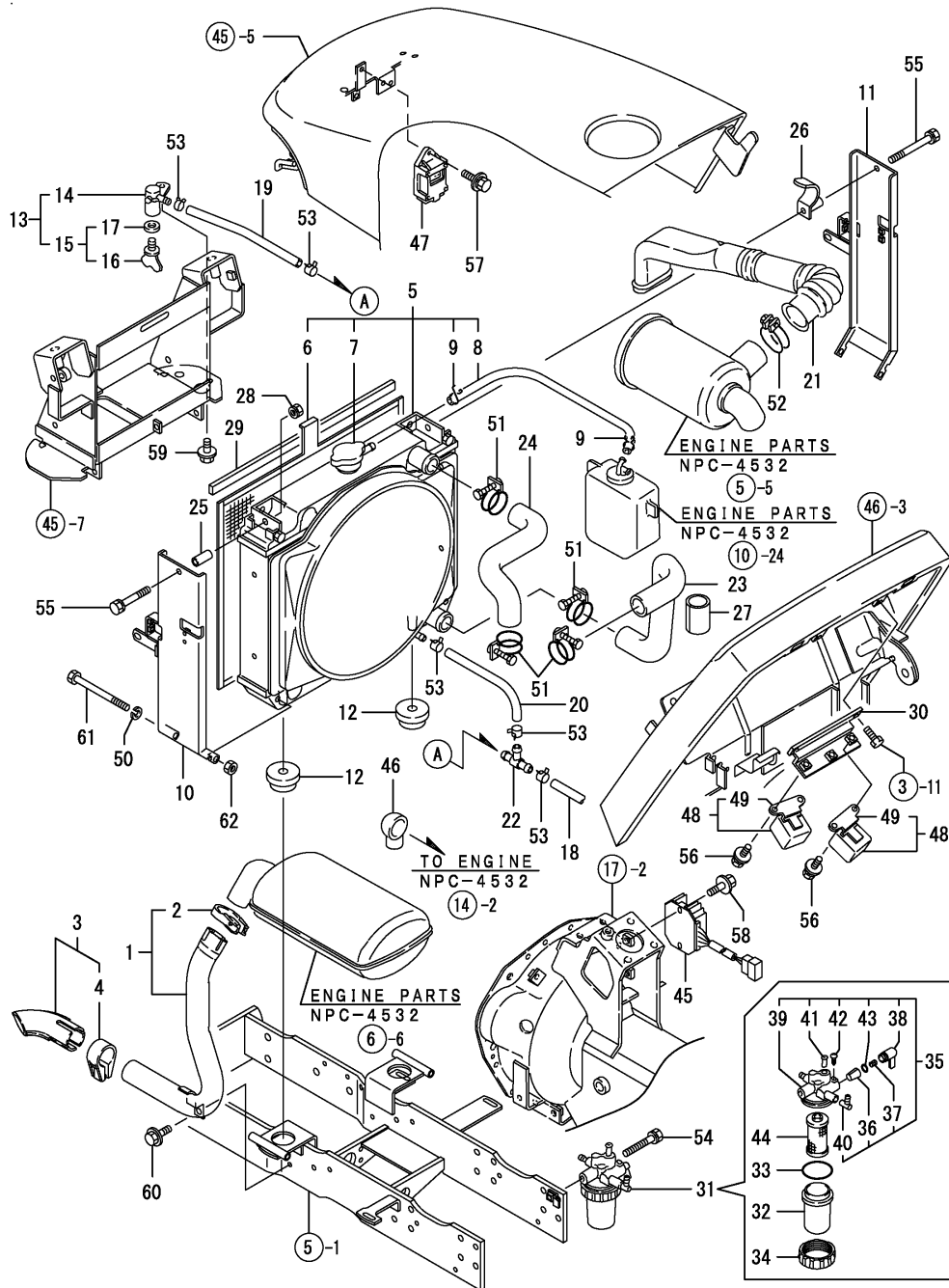
- 53. BALANCE WEIGHT
- 54. JOINT FRAME & LOWER FRAME

## OPTIONAL SECTION

- 55. OPTION

Fig.No. GROUP NAME

Fig.1. ENGINE ACCESSORIES



(A)=KE-60

(B)=

(C)=

(D)=

(E)=

(F)=

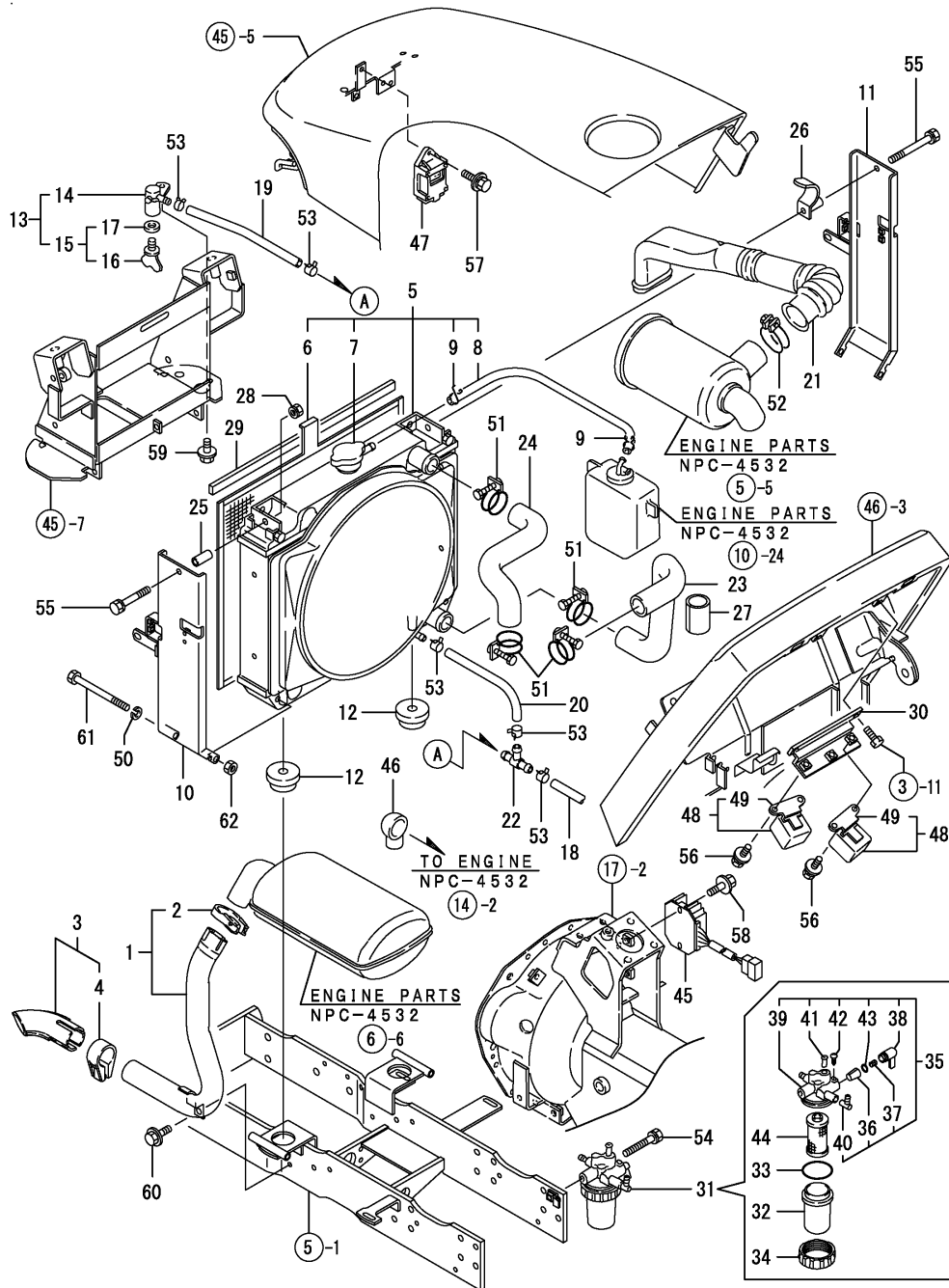
REF.	LEV.	PARTS NO.	DESCRIPTION	QTY						I	R
				(A)	(B)	(C)	(D)	(E)	(F)		
1	1	198162-00510	PIPE,EXHAUST	1							
2	2	119650-13620	CLAMP, EXHAUST PIPE	1							
3	1	198162-00520	EXTENSION,END	1							
4	2	119650-13620	CLAMP, EXHAUST PIPE	1							
5	1	198164-00600	RADIATOR	1							
6	2	198162-00860	SCREEN,DESTPROOF	1							
7	2	129107-44590	CAP, RADIATOR D46	1							
8	2	119462-44550	HOSE,RUBBER	1							
9	2	121250-44590	CLAMP	2							
10	1	198164-00620	SUPPORT ASSY, L	1							
11	1	198164-00630	SUPPORT ASSY, R	1							
12	1	198162-00640	SUPPORT	2							
13	1	198421-00640	COCK COMP.,2-WAY	1							
14	2	198421-00650	BODY,2-WAY COCK	1							
15	2	129150-49080	COCK, DRAIN	1							
16	3	119629-49070	COCK, DRAIN	1							
17	3	119629-49080	GASKET	1							
18	1	198162-00660	PIPE 350,WATER DRAIN	1							
19	1	198162-00670	PIPE 250,WATER DRAIN	1							
20	1	198421-00670	PIPE B,DRAIN	1							
21	1	198421-00681	PIPE,SUC.EXTENSION	1							
22	1	198162-00710	PIPE,3-WAY	1							
23	1	198164-00720	PIPE, WATER 72	1							
24	1	198164-00730	PIPE, WATER 72	1							
25	1	198162-00770	PIPE 30	1							
26	1	198163-00770	STAY,SUC.EXTENS.PIPE	1							
27	1	1C6860-06980	GUARD, HARNESS	1							
28	1	194990-22050	NUT W/WASHER 8	2							
29	1	121454-44590	PAD	1							
30	1	198163-51310	STAY, RELAY	1							
31	1	119462-55620	STRAINER, FUEL	1							
32	2	124064-55510	COVER, STRAINER	1							
33	2	102103-55520	O-RING	1							
34	2	110250-55610	RING, RETAINING	1							
35	2	119626-55690	BODY,FO FILTER	1							
36	3	104200-55321	VALVE, TAPER	1							
37	3	104200-55330	SPRING	1							
38	3	119810-55340	LEVER	1							
39	3	119865-55660	BODY	1							
40	3	171125-55730	L JOINT	1							
41	3	129155-55740	JOINT	1							
42	3	104200-55750	SCREW, M4	1							
43	3	24311-240100	O-RING 1A P-10A	1							
44	2	104500-55710	ELEMENT, STRAINER	1							
45	1	198162-58800	REGULATOR	1							
46	1	124160-77020	COVER, TERMINAL	1							
47	1	119650-77902	CONTROLLER	1							
48	1	119650-77910	RELAY, GROW	2							
49	2	119650-77930	BRACKET, RELAY	2							
50	1	22287-080000	LOCKING WASHER	2							
51	1	23010-038000	CLAMP 38	4							

N:Old  $\begin{matrix} \text{Yes} \\ \text{No} \end{matrix}$  New, Q:Old  $\begin{matrix} \text{No} \\ \text{Yes} \end{matrix}$  New, R:Old  $\begin{matrix} \text{Yes} \\ \text{No} \end{matrix}$  New, S:Old  $\begin{matrix} \text{No} \\ \text{Yes} \end{matrix}$  New, W:Add, Z:Discontinued, F:Interchangeable by set, K:Q'ty Change

++ CONTINUE ++

(C)Copy Rights YANMAR CO.,LTD.

Fig.1. ENGINE ACCESSORIES



(A)=KE-60

(B)=

(C)=

(D)=

(E)=

(F)=

REF.	LEV.	PARTS NO.	DESCRIPTION	QTY						I	R
				(A)	(B)	(C)	(D)	(E)	(F)		
52	1	23010-050000	CLAMP 50	1							
53	1	23080-012000	CLAMP 12	6							
54	1	26013-080652	BOLT M 8X 65	1							
55	1	26016-080502	BOLT M 8X 50	2							
56	1	26018-060162	BOLT M6X16	3							
57	1	26018-060252	BOLT, M6X25	1							
58	1	26018-060252	BOLT, M6X25	2							
59	1	26018-080162	BOLT M 8X 16	1							
60	1	26018-080202	BOLT M 8X 20	1							
61	1	26116-081052	BOLT M 8X105 PLATED	2							
62	1	26716-080002	NUT M 8	2							

Fig.2. ACCEL LEVER

(A)=KE-60

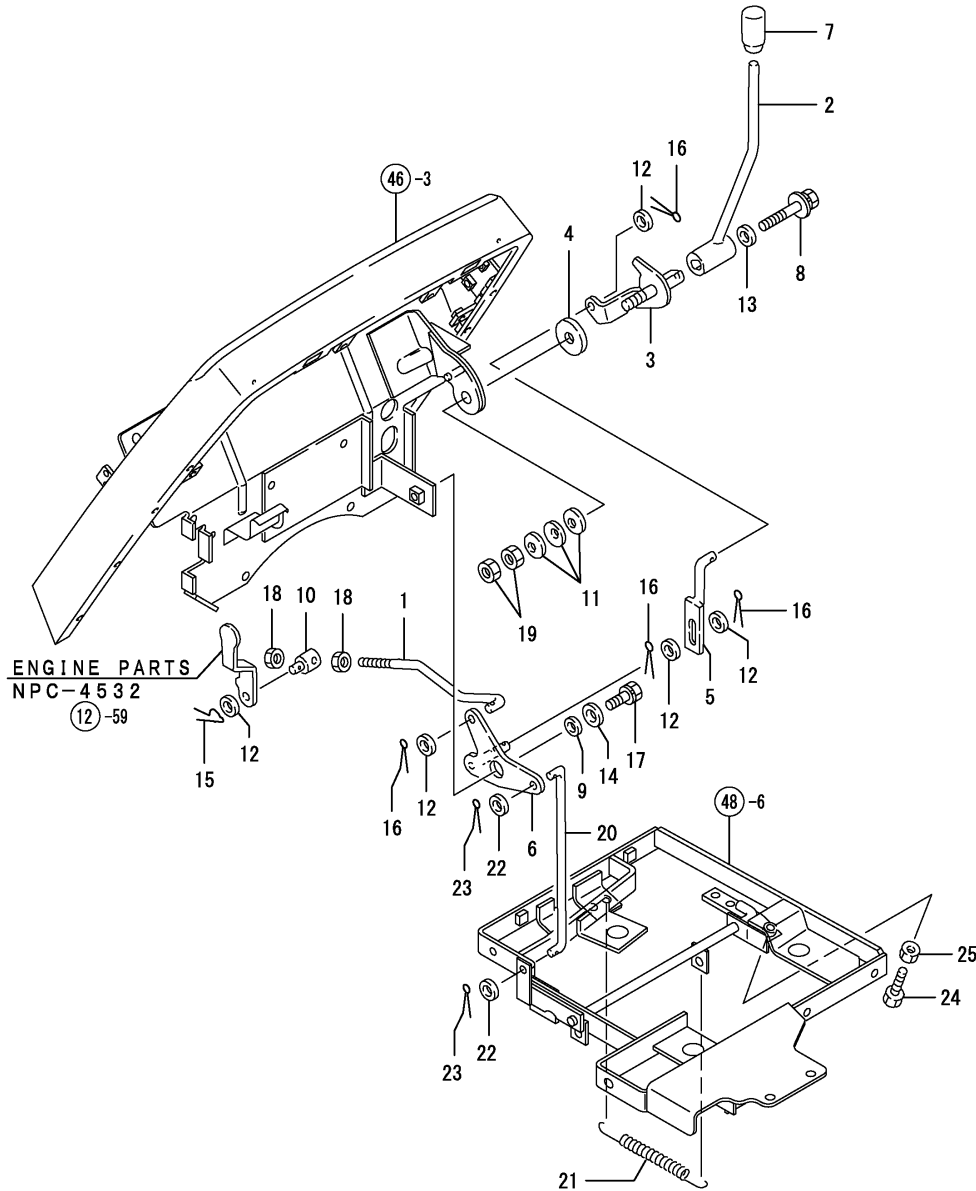
(B)=

(C)=

(D)=

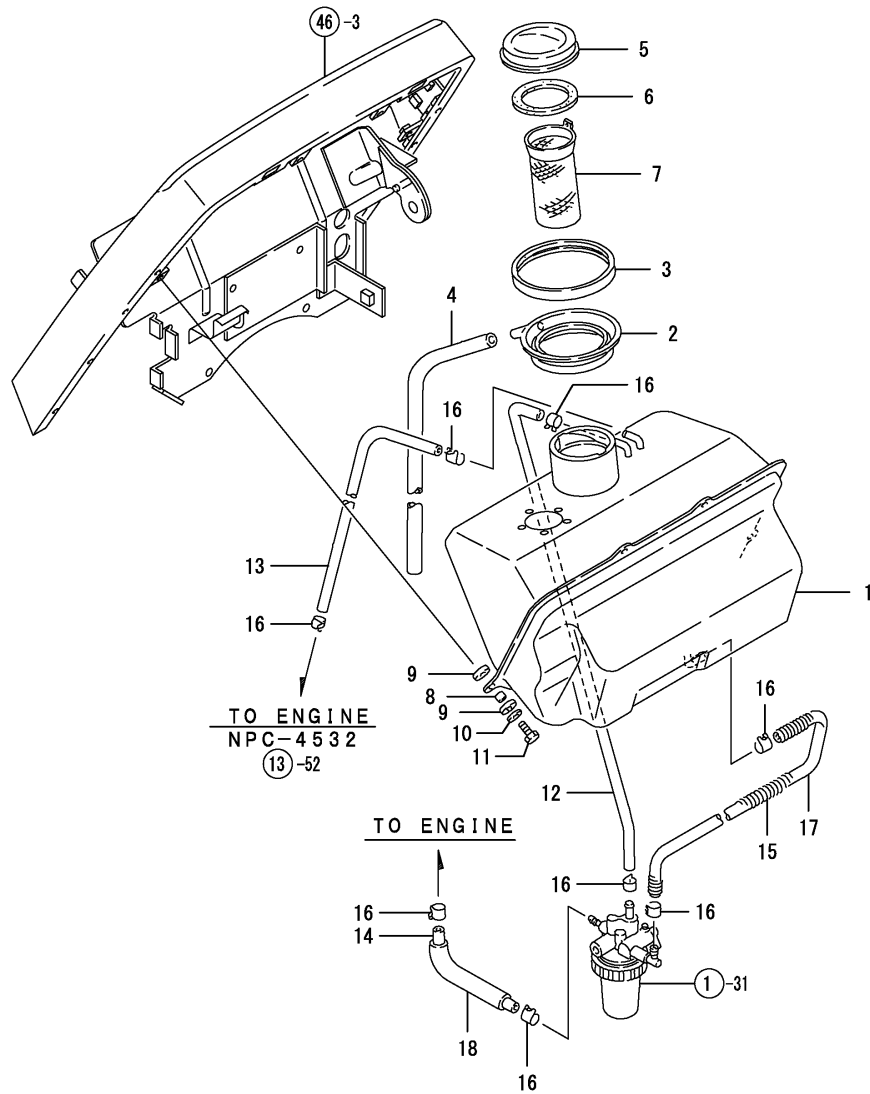
(E)=

(F)=



REF.	LEV.	PARTS NO.	DESCRIPTION	QTY						I	R
				(A)	(B)	(C)	(D)	(E)	(F)		
1	1	198163-00850	LINK, ACCELERATOR	1							
2	1	198421-01110	LEVER, ACCELERATOR	1							
3	1	198421-01120	SHAFT, ACCELERATOR	1							
4	1	198165-01130	PLATE, FRICTION	1							
5	1	198421-01130	LINK, ACCELERAT. LEVER	1							
6	1	198421-01140	PLATE, ACCELERAT. LOCK	1							
7	1	194150-01190	KNOB, THROTTLE LEVER	1							
8	1	198421-01250	BOLT 6X40	1							
9	1	194150-01270	SPACER 20	1							
10	1	194150-01370	ADJUSTER	1							
11	1	194151-47760	WASHER 12	3							
12	1	22117-080000	WASHER 8	5							
13	1	22157-060000	WASHER 6	1							
14	1	22157-100000	WASHER 10	1							
15	1	22372-080000	SNAP PIN (JASO 8)	1							
16	1	22417-160160	COTTER PIN 1.6X16	4							
17	1	26016-100202	BOLT	1							
18	1	26716-080002	NUT M 8	2							
19	1	26716-120002	NUT 12	2							
20	1	198162-01210	ROD, FOOT AXLE	1							
21	1	198421-01220	SPRING, FT. ACCEL. RTRN	1							
22	1	22117-080000	WASHER 8	2							
23	1	22417-160160	COTTER PIN 1.6X16	2							
24	1	26116-080402	BOLT M 8X 40 PLATED	1							
25	1	26716-080002	NUT M 8	1							

Fig.3. FUEL TANK



OCNP4-G53100 3. FUEL TANK

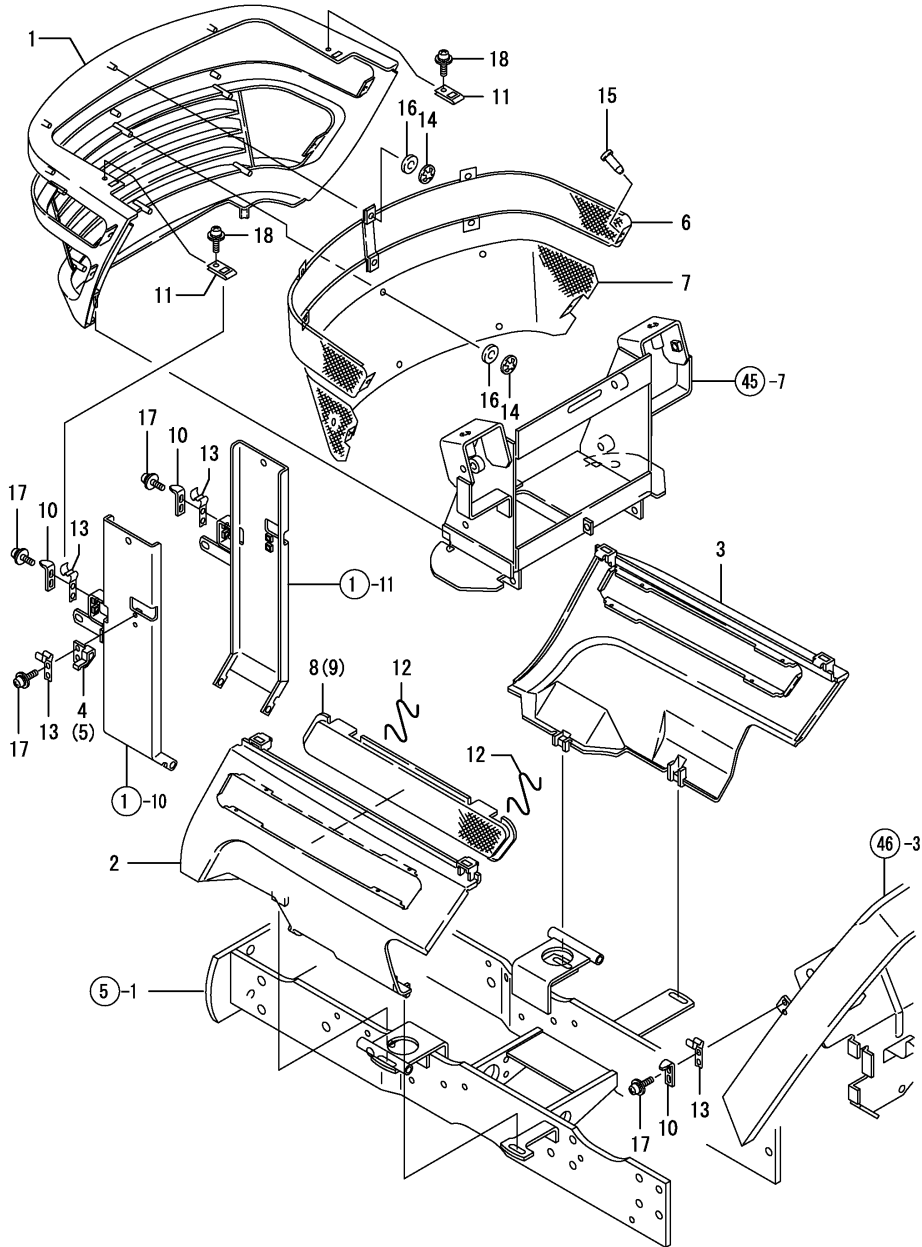
(A)=KE-60  
(B)=  
(C)=

(D)=  
(E)=  
(F)=

REF.	LEV.	PARTS NO.	DESCRIPTION	Q'TY						I	R
				(A)	(B)	(C)	(D)	(E)	(F)		
1	1	198162-04111	TANK,FUEL OIL	1							
2	1	194940-04240	PAN,FUEL TANK CATCH	1							
3	1	194940-04250	PACKING,FUEL CAT.PAN	1							
4	1	198421-04430	PIPE,FUEL OIL PAN	1							
5	1	105015-55040	CAP, FUEL TANK	1							
6	1	101504-55051	GASKET, TANK CAP	1							
7	1	101504-55101	STRAINER,FUEL INLET	1							
8	1	194215-04220	SPACER 8X10X10	4							
9	1	194420-62260	RUBBER, CUSHION	8							
10	1	22157-060000	WASHER 6	4							
11	1	26116-060252	BOLT 6X25	4							
12	1	198421-04400	HOSE,AIR VENT FUEL	1							
13	1	198421-04410	HOSE,FUEL UPPER	1							
14	1	198421-04420	HOSE,FUEL LOWER	1							
15	1	194215-04430	PROTECTOR	1							
16	1	194300-04440	CLAMP 10.5	8							
17	1	198421-04440	HOSE 7X450,FUEL	1							
18	1	198421-04450	TUBE 13X100	1							



Fig.4. BELT COVER



(A)=KE-60

(B)=

(C)=

(D)=

(E)=

(F)=

REF.	LEV.	PARTS NO.	DESCRIPTION	QTY						I	R
				(A)	(B)	(C)	(D)	(E)	(F)		
1	1	198162-05350	COVER F,LOWER	1							
2	1	798163-05380	COVER ASSY,LOWER L	1							
3	1	798163-05370	COVER ASSY,LOWER R	1							
4	1	198162-05381	HOLDER L,LOWER COVER	1							
5	1	198162-05391	HOLDER R,LOWER COVER	1							
6	1	198162-05410	NET,LCF UPPER	1							
7	1	198162-05420	NET,LCF LOWER	1							
8	1	198162-05430	NET L COMP.,LC	1							
9	1	198162-05440	NET R COMP.,LC	1							
10	1	198162-05462	STAY,LCF	4							
11	1	198162-05470	COVER,LCF	2							
12	1	198162-05480	CLIP,NET	4							
13	1	198162-05491	SPRING,HOOK	6							
14	1	1C6460-38240	NUT 5,PUSH	16							
15	1	198421-61280	LOCK PIN	4							
16	1	194555-65130	CUSHION	16							
17	1	26023-050162	SCREW, M5X16	12							
18	1	26023-050162	SCREW, M5X16	2							

Fig.5. FRONT BRACKET

0CNP4-G53100 5. FRONT BRACKET

(A)=KE-60  
(B)=  
(C)=

(D)=  
(E)=  
(F)=

REF.	LEV.	PARTS NO.	DESCRIPTION	Q'TY						I	R
				(A)	(B)	(C)	(D)	(E)	(F)		
1	1	198164-11140	BRACKET M ASSY, AXLE	1							
2	1	26013-100252	BOLT W/WASHER M10X25	16							
3	1	194301-11340	SHIM T=0.2	4							
4	1	194301-11350	SHIM T=0.5	2							
5	1	198162-11510	PIN,CENTER	1							
6	1	194215-11540	BUSH	1							
7	1	198435-16230	GREASE FITTING	1							
8	1	26013-080202	BOLT W/WASHER M8X20	4							

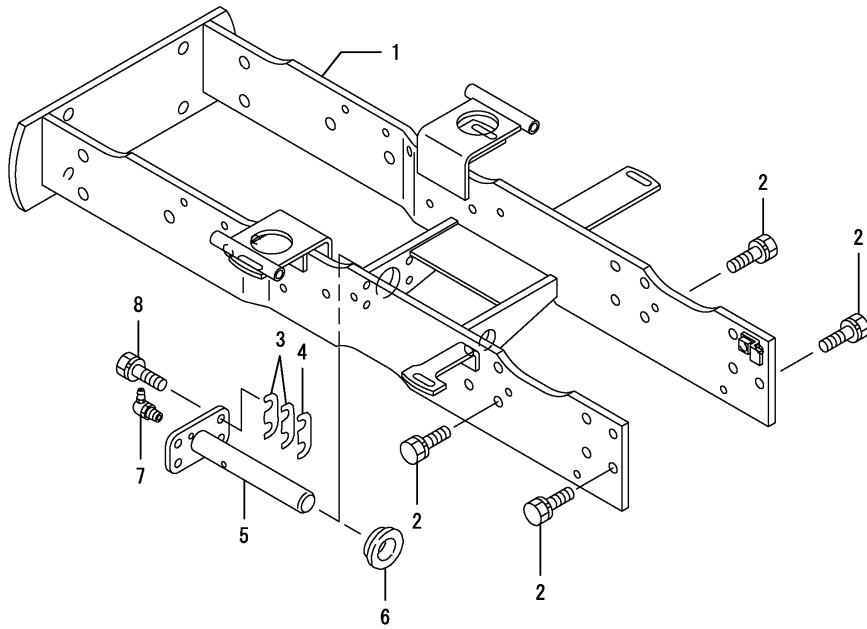


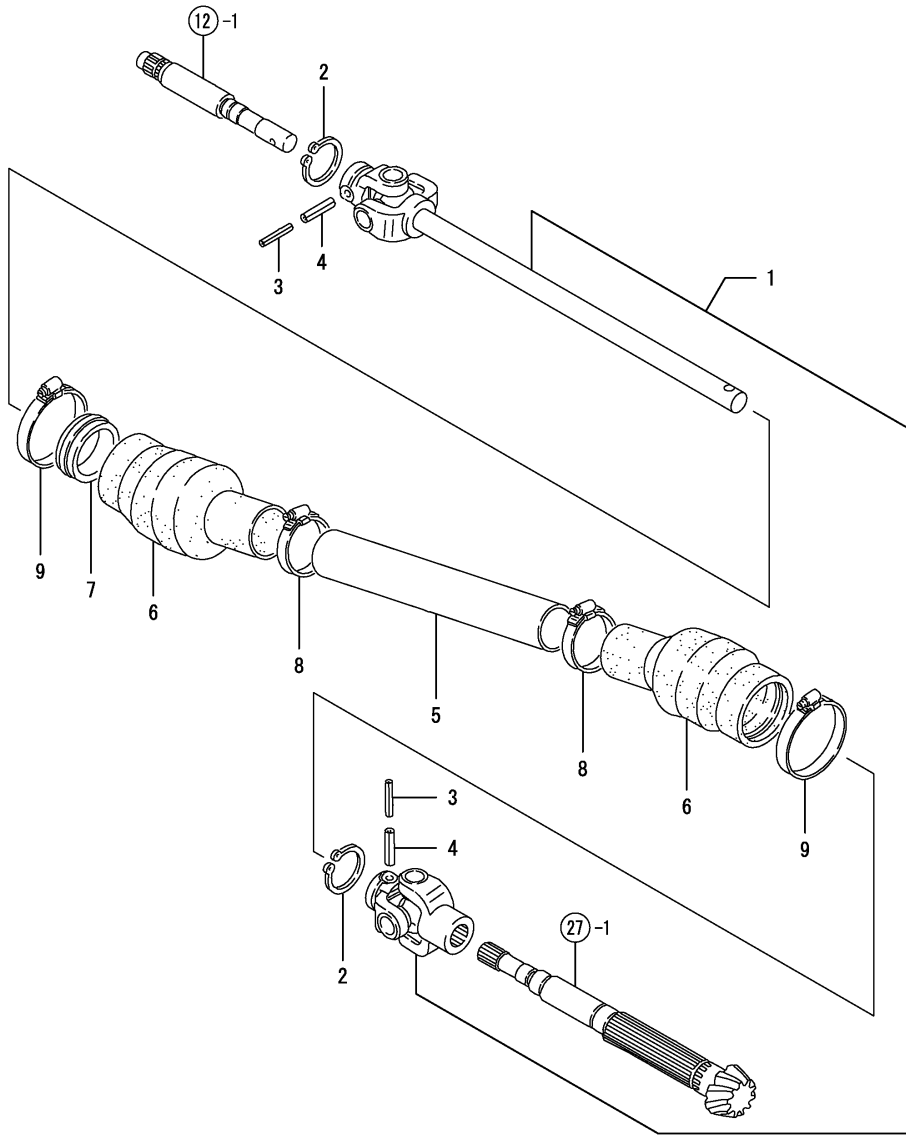




Fig.8. PROPELLER SHAFT

(A)=KE-60  
(B)=  
(C)=

(D)=  
(E)=  
(F)=



REF.	LEV.	PARTS NO.	DESCRIPTION	Q'TY						I	R
				(A)	(B)	(C)	(D)	(E)	(F)		
1	1	198162-13350	SHAFT COMP,PROPELLER	1							
2	1	22242-000260	CIRCLIP 26	2							
3	1	22351-035025	SPRING PIN 3.5X25	2							
4	1	22351-060025	SPRING PIN 6X25	2							
5	1	198421-14610	COVER,SHAFT	1							
6	1	198421-14620	BOOT,RUBBER	2							
7	1	198421-14630	COLLAR,RUBBER BOOT	1							
8	1	23000-048000	CLAMP 48	2							
9	1	23000-070000	CLAMP 70	2							

Fig.9. FRONT AXLE CASE

(A)=KE-60

(B)=

(C)=

(D)=

(E)=

(F)=

REF.	LEV.	PARTS NO.	DESCRIPTION	QTY						I	R
				(A)	(B)	(C)	(D)	(E)	(F)		
1	1	198421-13510	SHAFT L,FRONT 1ST	1							
2	1	198421-13520	SHAFT R,FRONT 1ST	1							
3	1	198421-13530	GEAR,FRNT.1/2 SHAFT	2							
4	1	24101-063044	BALL BEARING	2							
5	1	194200-11570	BUSH	2							
6	1	194447-13490	CAP W/DIPSTICK	1							
7	1	198164-13610	CASE L,FRONT AXLE	1							
8	1	198425-13620	CASE R,FRONT AXLE	1							
9	1	198421-13630	COVER,FRNT.AXLE CASE	1							
10	1	198421-13650	WASHER 25X34X1.2	1							
11	1	198165-24440	GASKET	1							
12	1	198165-24490	BOLT M 12X 12 PLATED	1							
13	1	22252-000520	CIRCLIP 52	1							
14	1	22351-060020	SPRING PIN 6X20	2							
15	1	24311-000180	O-RING 1A P-18.0	1							
16	1	24321-000500	O-RING 1A G-50.0	2							
17	1	24321-001150	O-RING 1A G-115.0	1							
18	1	24421-173007	SEAL TC17 30 07, OIL	1							
19	1	26013-100302	BOLT M10X 30	6							
19-1	1	26106-100302	BOLT M10X 30 PLATED	6							R
				(A=FZZZZZ)							
19-2	1	26106-100252	BOLT M10X 25 PLATED	6							N
				(A=FXXXXX)							
20	1	26016-080302	BOLT M 8X 30	6							
20-1	1	26106-080252	BOLT M 8X 25 PLATED	6							R
				(A=FXXXXX)							

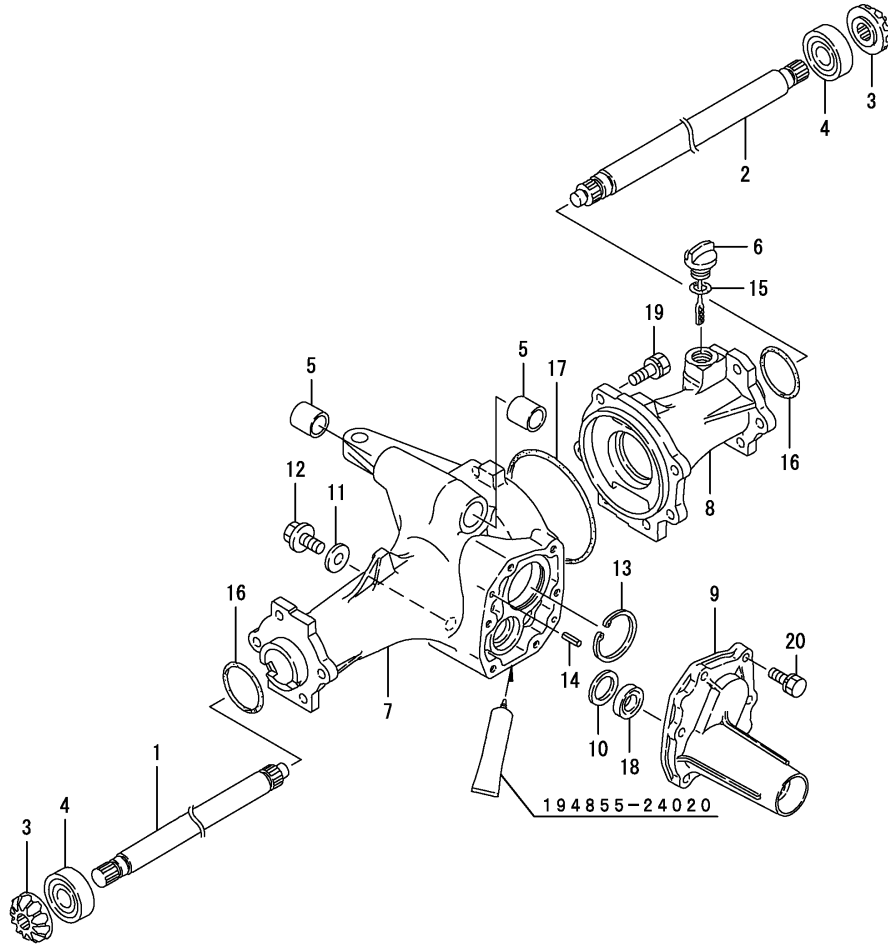


Fig.10. FRONT GEAR CASE

(A)=KE-60

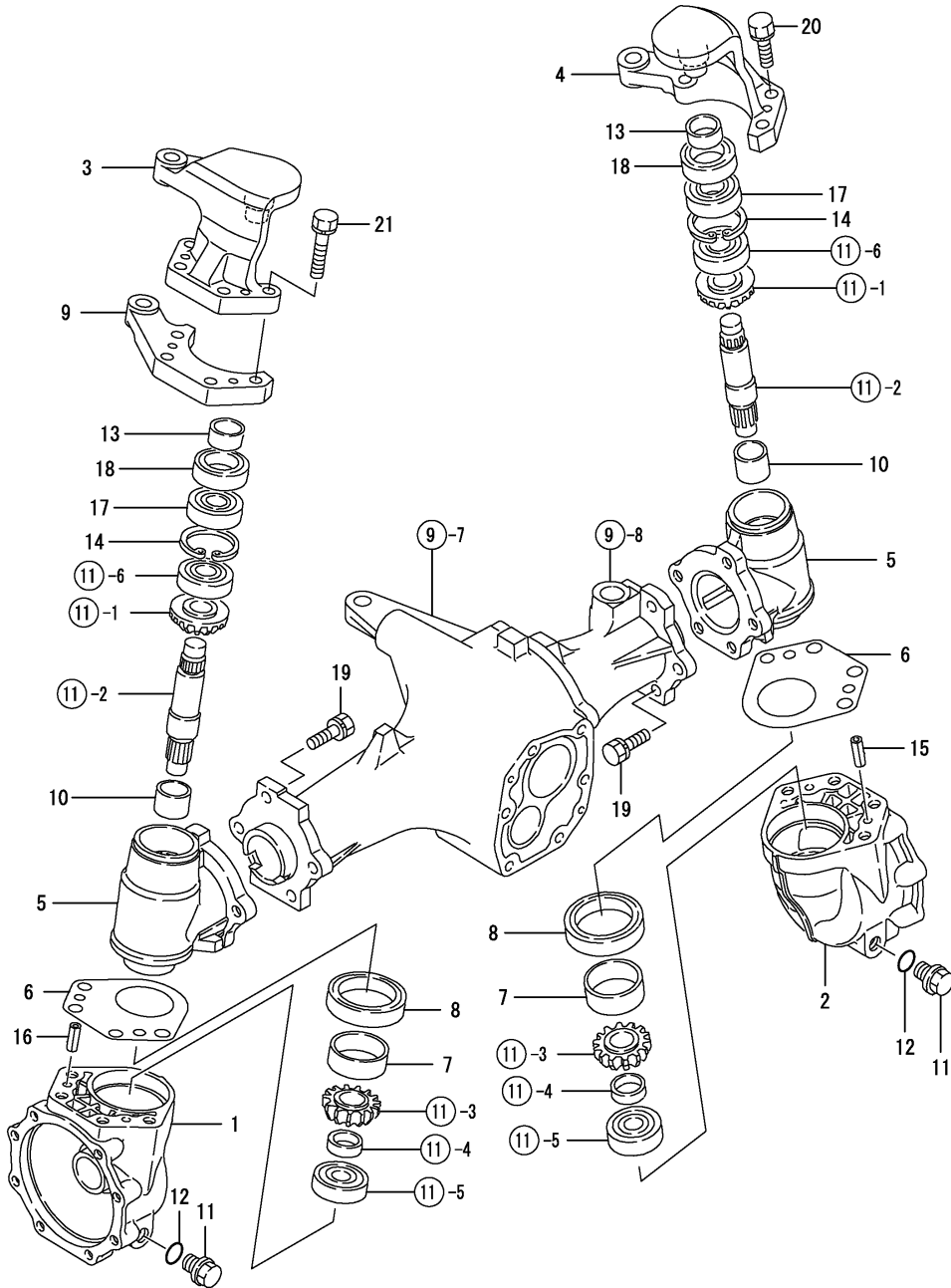
(B)=

(C)=

(D)=

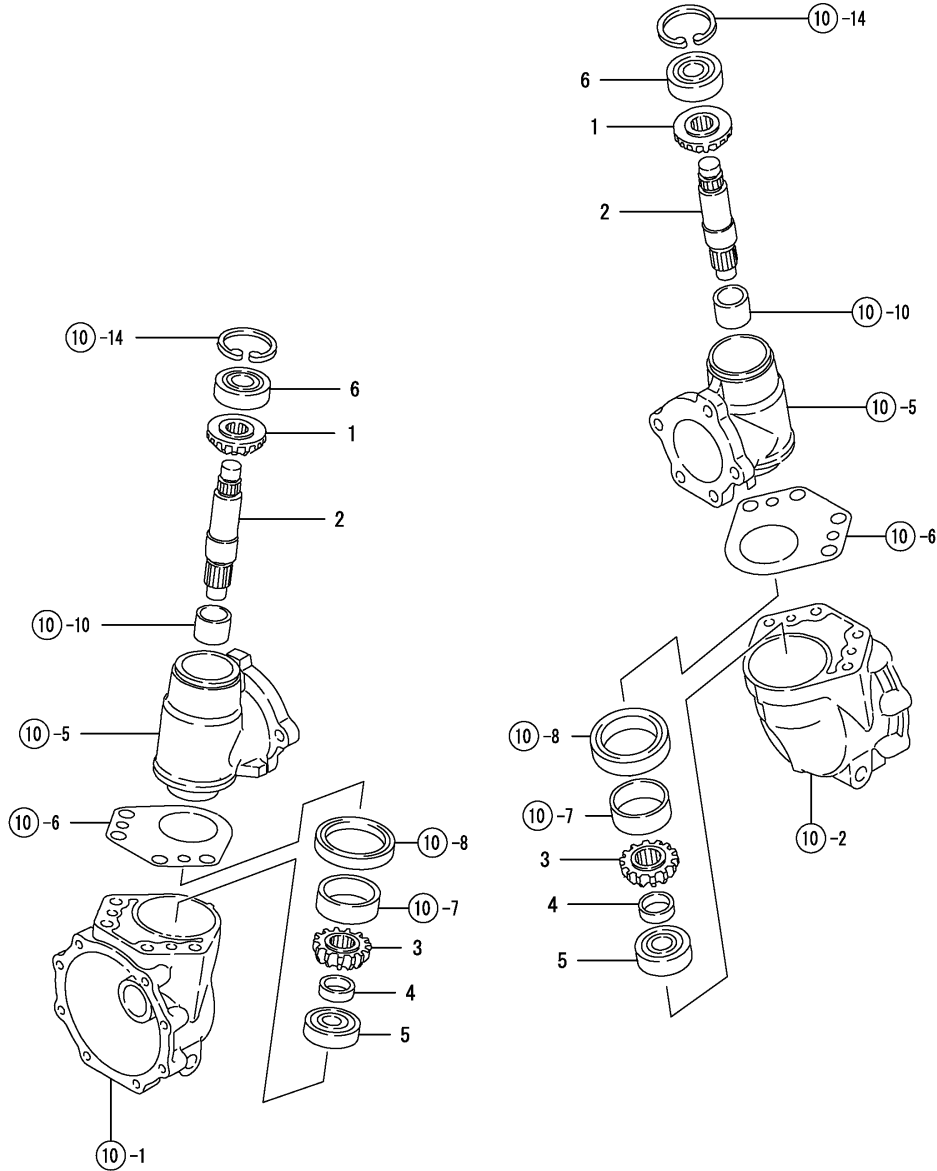
(E)=

(F)=



REF.	LEV.	PARTS NO.	DESCRIPTION	QTY						I	R
				(A)	(B)	(C)	(D)	(E)	(F)		
1	1	198421-13730	BOX L,FRONT GEAR	1							
2	1	198421-13740	BOX R,FRONT GEAR	1							
3	1	198164-13760	BRACKET(L), KING PIN	1							
4	1	198164-13770	SUPPORT(R),KING PIN	1							
5	1	198421-13710	CASE,FRONT GEAR	2							
6	1	198421-13750	SHIM 1.0,SUPPORT	2							
7	1	194516-13770	SLEEVE SI455016	2							
8	1	194516-13780	SEAL TC6Y 506812.5	2							
9	1	198164-13780	ARM,TIE ROD	1							
10	1	198165-13830	BUSH 25X1.5	2							
11	1	1C6900-23120	BOLT M14X10,DRAIN	2							
12	1	1C6900-23150	WASHER	2							
13	1	1E6190-54080	SLEEVE SI25X30X13	2							
14	1	22252-000470	CIRCLIP 47(H)	2							
15	1	22351-080020	SPRING PIN 8X20	2							
16	1	22351-080040	SPRING PIN 8X40	2							
17	1	24104-062044	BALL BEARING	2							
18	1	24421-304708	SEAL TC30 47 08, OIL	2							
19	1	26013-100302	BOLT M10X 30	10							
20	1	26013-100352	BOLT M10X 35	4							
21	1	26013-100502	BOLT M10X 50	4							

Fig.11. FRONT SHAFT (2)



0CNP4-G53100 11. FRONT SHAFT (2)

(A)=KE-60  
(B)=  
(C)=

(D)=  
(E)=  
(F)=

REF.	LEV.	PARTS NO.	DESCRIPTION	Q'TY						I	R
				(A)	(B)	(C)	(D)	(E)	(F)		
1	1	198421-13530	GEAR,FRNT.1/2 SHAFT	2							
2	1	198421-13810	SHAFT,FRONT 2ND	2							
3	1	198421-13820	PINION,FRONT FINAL	2							
4	1	198421-13830	COLLAR	2							
5	1	194670-25370	BALL BEARING	2							
6	1	24104-063034	BALL BEARING	2							



Fig.12. INPUT SHAFT

(A)=KE-60  
(B)=  
(C)=

(D)=  
(E)=  
(F)=

REF.	LEV.	PARTS NO.	DESCRIPTION	Q'TY						I	R
				(A)	(B)	(C)	(D)	(E)	(F)		
1	1	198421-13910	SHAFT,FRONT INPUT	1							
2	1	198421-13920	GEAR 15T,FRONT	1							
3	1	22242-000200	CIRCLIP 20	1							
4	1	24101-060034	BALL BEARING	1							
5	1	24101-062024	BALL BEARING	1							

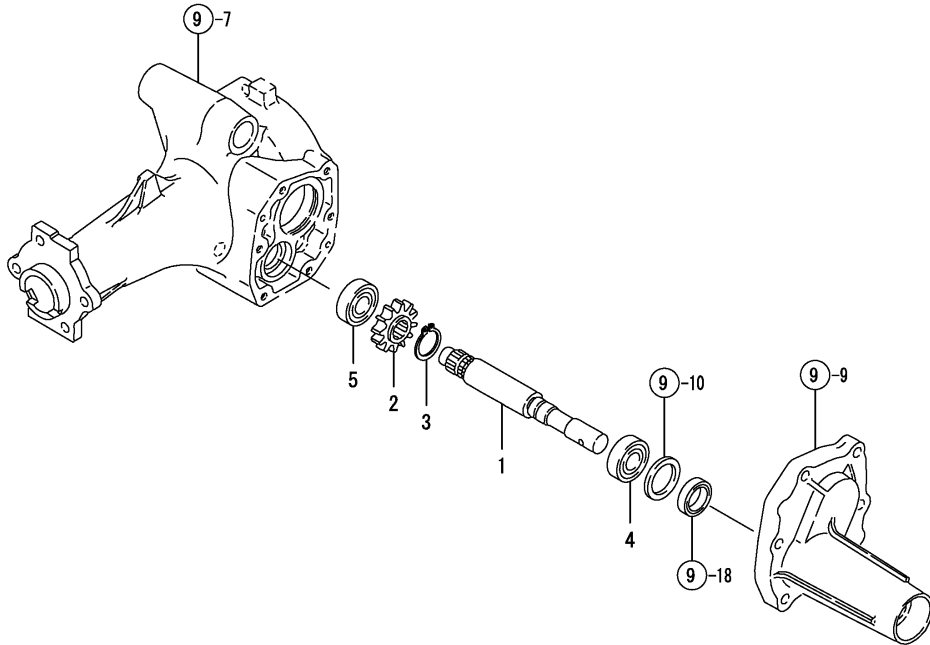
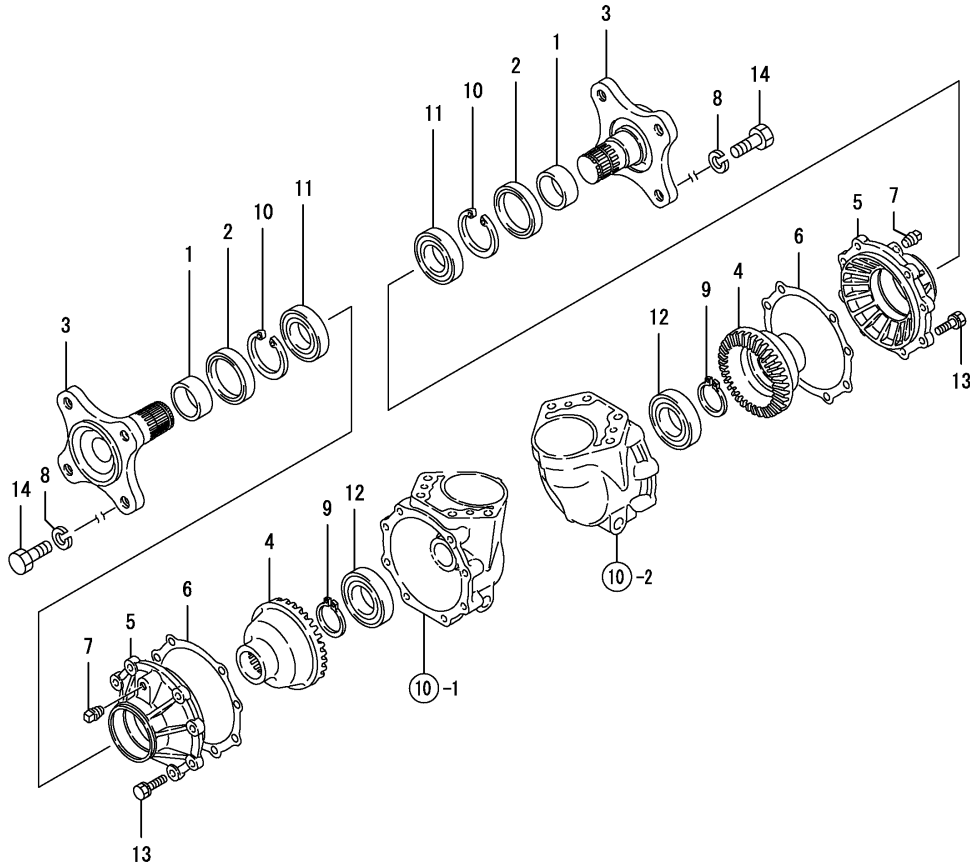


Fig.13. FRONT SPINDLE

(A)=KE-60  
(B)=  
(C)=

(D)=  
(E)=  
(F)=

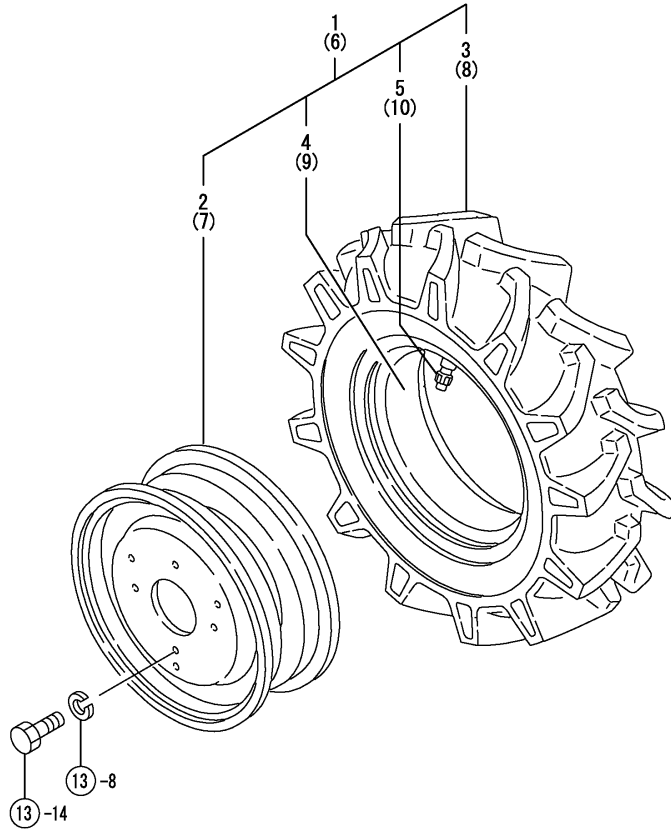


REF.	LEV.	PARTS NO.	DESCRIPTION	QTY						I	R
				(A)	(B)	(C)	(D)	(E)	(F)		
1	1	194314-11880	SLEEVE 40X45X18	2							
2	1	194314-12720	SEAL TC6Y 45 62 14	2							
3	1	198421-14110	SPINDLE,FRONT	2							
4	1	198421-14120	GEAR,FRONT FINAL	2							
5	1	198421-14130	CASE,FRONT BEARING	2							
6	1	198421-14142	PACKING,BEARING CASE	2							
7	1	194151-36670	PLUG PT02	2							
8	1	22217-140000	SPRING WASHER 14	8							
9	1	22242-000350	CIRCLIP 35	2							
10	1	22252-000620	CIRCLIP 62(H)	2							
11	1	24101-060074	BALL BEARING	2							
12	1	24101-060084	BALL BEARING	2							
13	1	26016-080252	BOLT M 8X 25	16							
14	1	26156-140252	BOLT M14X 25 PLATED	8							

Fig.14. FRONT WHEEL TIRE

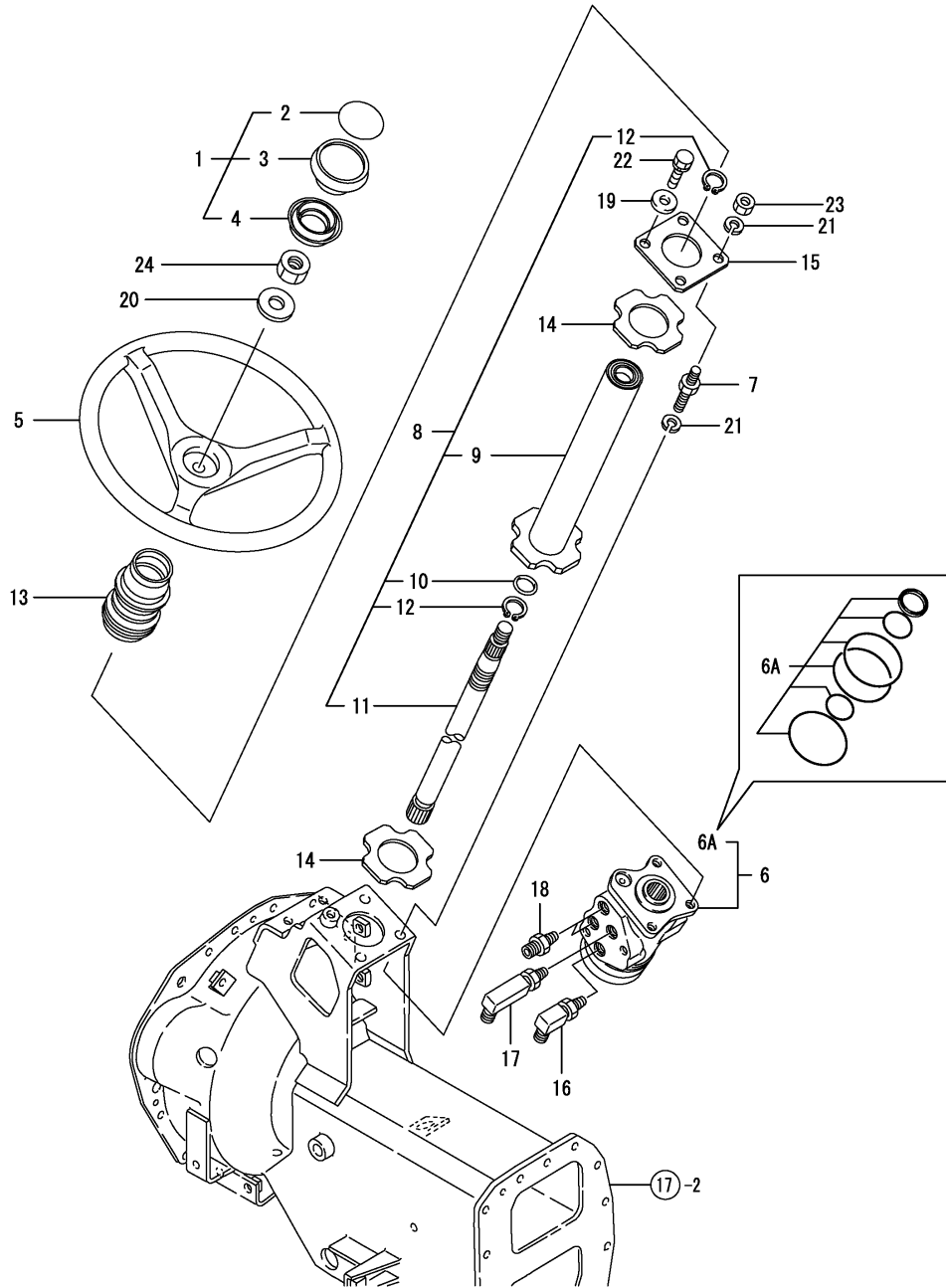
(A)=KE-60  
(B)=  
(C)=

(D)=  
(E)=  
(F)=



REF.	LEV.	PARTS NO.	DESCRIPTION	Q'TY						I	R
				(A)	(B)	(C)	(D)	(E)	(F)		
1	1	798531-14710	TIRE,FRONT L.H. KIT	1							
2	2	198531-14720	WHEEL DC3.00-12	1							
3	2	198531-14740	TIRE 5.00-12	1							
4	2	198531-14750	TUBE	1							
5	2	194190-34730	HOUSING,CORE	1							
6	1	798531-14810	FRONT TIRE R.H. KIT	1							
7	2	198531-14720	WHEEL DC3.00-12	1							
8	2	198531-14740	TIRE 5.00-12	1							
9	2	198531-14750	TUBE	1							
10	2	194190-34730	HOUSING,CORE	1							

Fig.15. STEERING WHEEL



OCNP4-G53100 15. STEERING WHEEL

(A)=KE-60

(B)=

(C)=

(D)=

(E)=

(F)=

REF.	LEV.	PARTS NO.	DESCRIPTION	QTY						I	R
				(A)	(B)	(C)	(D)	(E)	(F)		
1	1	198164-15750	CAP KIT,S WHEEL	1							
2	2	198164-15780	MARK,STEERING	1							
3	2	198164-15760	CAP, WHEEL	1							
4	2	198164-15770	WHEEL CAP S, INNER	1							
5	1	1C1100-21010	WHEEL, STEERING	1							
6	1	198167-17300	VALVE H, P.STEERING	1							
I	6A	2	198165-17350	SEAL KIT	1						
7	1	198165-17310	BOLT M 10, ST COLUM	3							
8	1	198164-17410	COLUMN ,SET	1							
9	2	198164-17420	COLUMN,CMP P.S.T	1							
10	2	198164-17450	PACKING	1							
11	2	198164-17461	STEERING WHEEL SHAFT	1							
12	2	22242-000200	CIRCLIP 20	2							
13	1	198164-17470	BOOT ASSY, STEERING	1							
14	1	198165-17481	RUBBER, ST COLUMN	2							
15	1	198164-17500	PLATE, ST COLUMN	1							
16	1	198165-17731	ELBO, 1/4X9/16	1							
17	1	198165-17741	ELBO L, 1/4X9/16	1							
18	1	198165-17790	CONNECTOR	2							
19	1	22137-100000	WASHER 10,POLISHED	1							
20	1	22137-160000	WASHER 16,POLISHED	1							
21	1	22217-100000	SPRING WASHER 10	6							
22	1	26016-100162	BOLT M10X 16	1							
23	1	26736-100002	NUT M10	3							
24	1	26776-160002	LOCK NUT M16 PLATED	1							

Fig.16. P.S.T. PIPING

(A)=KE-60

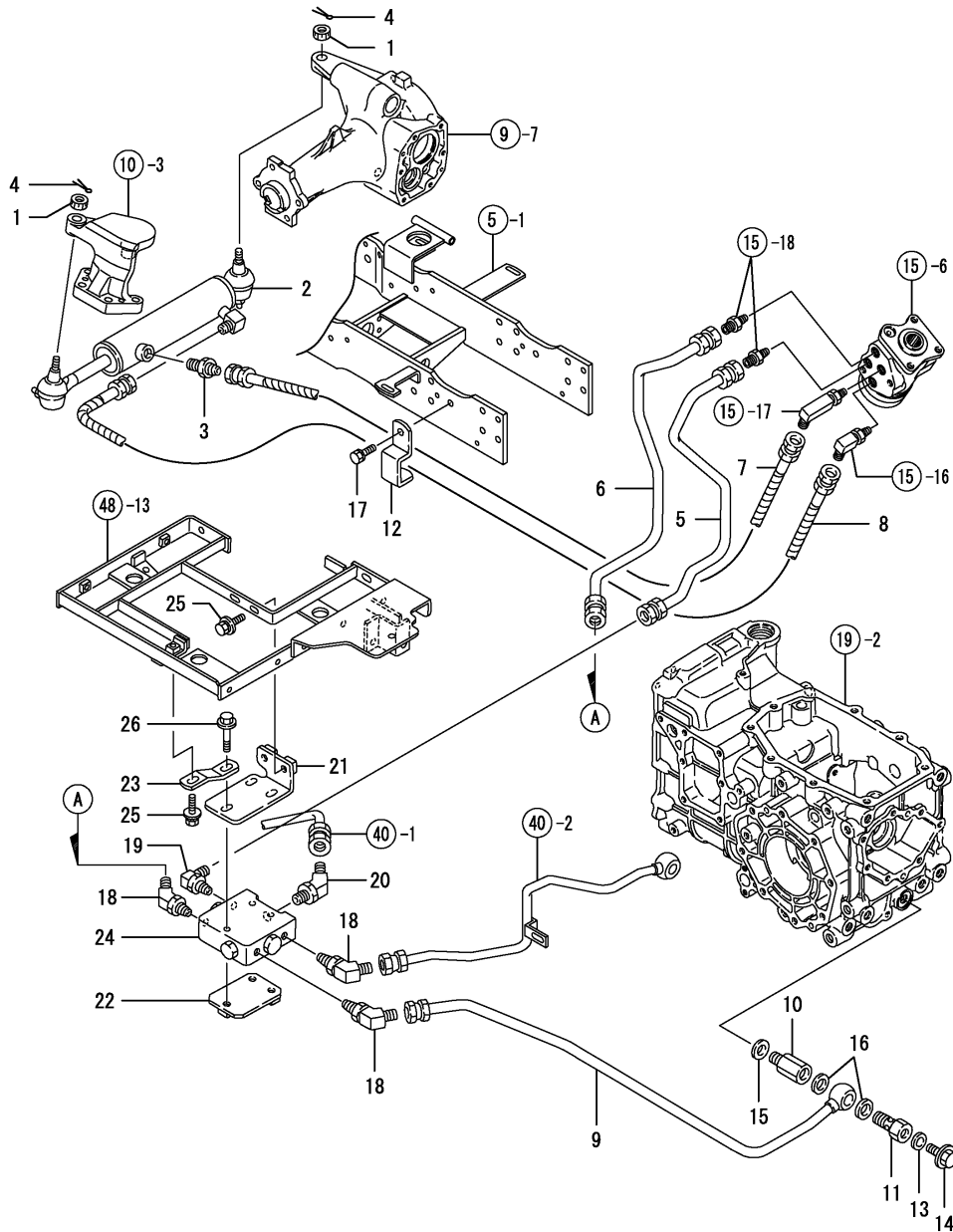
(B)=

(C)=

(D)=

(E)=

(F)=



REF.	LEV.	PARTS NO.	DESCRIPTION	Q'TY						I	R
				(A)	(B)	(C)	(D)	(E)	(F)		
1	1	194215-12340	NUT M10	2							
2	1	198164-17540	CYLINDER, PS	1							
3	1	172520-76210	FITTING 1/4	1							
4	1	22417-250250	COTTER PIN 2.5X25	2							
5	1	198164-17660	PIPE, HP	1							
6	1	198164-17670	PIPE, DRAIN PS	1							
7	1	198164-17710	HOSE, HYDRAULIC A PS	1							
8	1	198164-17720	HOSE, HYDRAULIC B PS	1							
9	1	198163-17752	PIPE, DRAIN PS	1							
10	1	198163-17760	ADAPTER	1							
11	1	198163-17771	BOLT 18, JOINT	1							
12	1	198164-17780	CLAMP	1							
13	1	198165-24440	GASKET(20*12*2	1							
14	1	198165-24490	BOLT M 12X 12 PLATED	1							
15	1	23414-140018	GASKET 14	1							
16	1	23414-180023	GASKET 18	2							
17	1	26016-080122	BOLT M 8X 12	1							
18	1	198165-17711	ELBO, 45	3							
19	1	198165-17781	ELBO, 1/4X1/4	1							
20	1	198164-17810	ELBOW 45 3/8	1							
21	1	198164-17830	BRACKET ASSY, FD	1							
22	1	198164-17850	PLATE ASS, FD	1							
23	1	198163-17870	STAY, FD	1							
24	1	198164-17900	DIVIDER..FLOW KIT	1							
25	1	26018-080252	BOLT M8X 25	3							
26	1	26106-080502	BOLT M 8X 50 PLATED	3							

Fig.17. CLUTCH HOUSING

(A)=KE-60

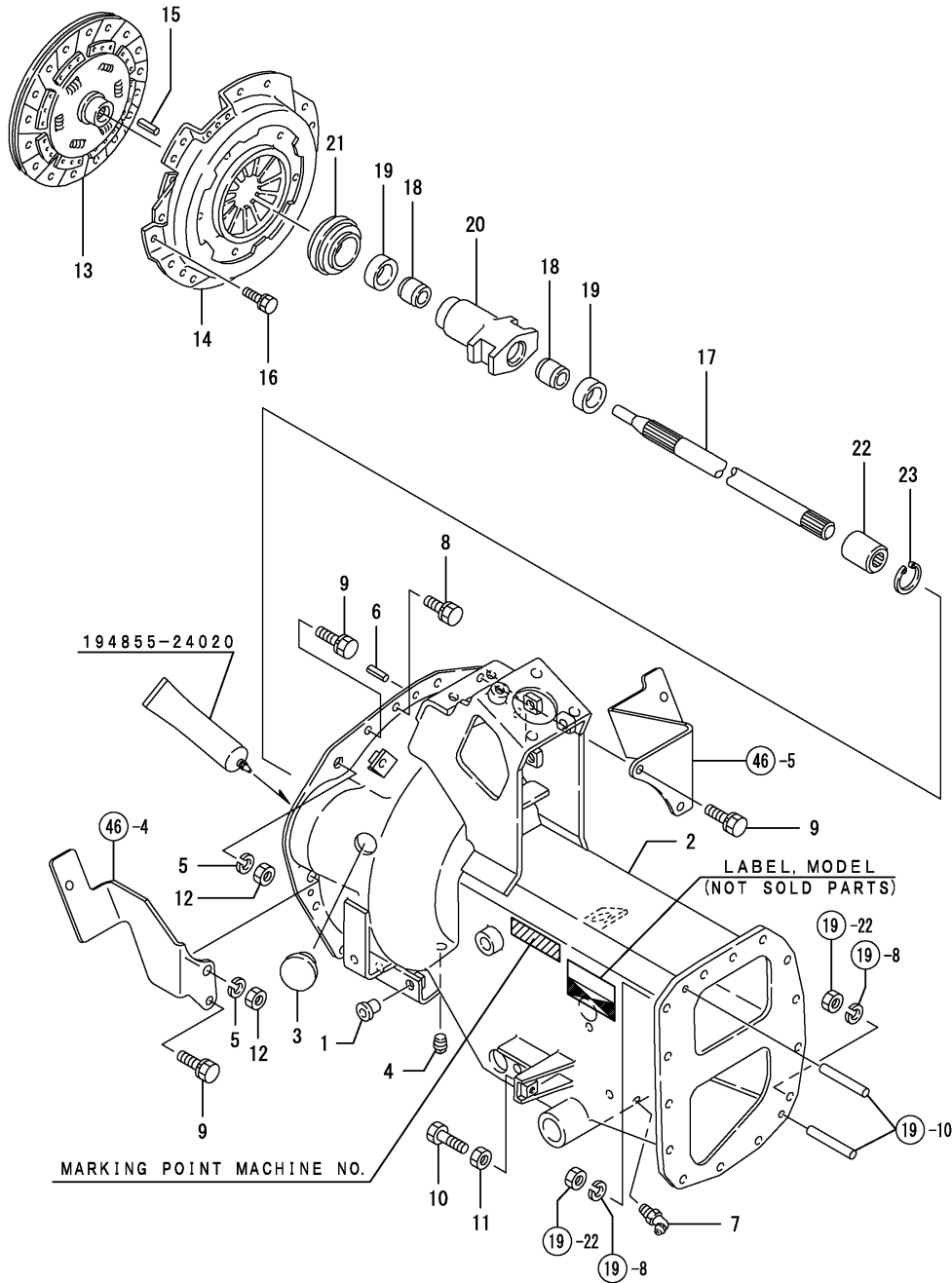
(B)=

(C)=

(D)=

(E)=

(F)=



REF.	LEV.	PARTS NO.	DESCRIPTION	QTY						I	R
				(A)	(B)	(C)	(D)	(E)	(F)		
1	1	194201-11230	CAP 11X21	4							
2	1	198163-21100	CLUTCH HOUSING ASSY	1							
3	1	194300-21460	CAP	1							
4	1	194151-36670	PLUG PT02	1							
5	1	22217-100000	SPRING WASHER 10	2							
6	1	22351-080016	SPRING PIN 8X16	2							
7	1	24761-040000	NIPPLE B,GREASE	1							
8	1	26013-080122	BOLT M 8X 12	2							
9	1	26013-080202	BOLT W/WASHER M8X20	9							
10	1	26116-100352	BOLT 10X35	1							
11	1	26716-100002	NUT 10	1							
12	1	26716-100002	NUT 10	2							
13	1	198165-21450	DISC, CLUTCH	1							
14	1	194215-21701	PRESSURE PLATE	1							
15	1	22351-080016	SPRING PIN 8X16	3							
16	1	26013-080162	BOLT W/WASHER M8X16	6							
17	1	198421-22110	SHAFT,MAIN DRIVE	1							
18	1	194215-22210	BUSH 20.4X25X20	2							
19	1	194215-22220	FELT	2							
20	1	194215-22230	SLEEVE, BEARING	1							
21	1	194300-22240	BEARING, RELEASE	1							
22	1	194310-25100	JOINT	1							
23	1	22252-000170	CIRCLIP 17	1							

Fig.18. CLUTCH PEDAL

(A)=KE-60

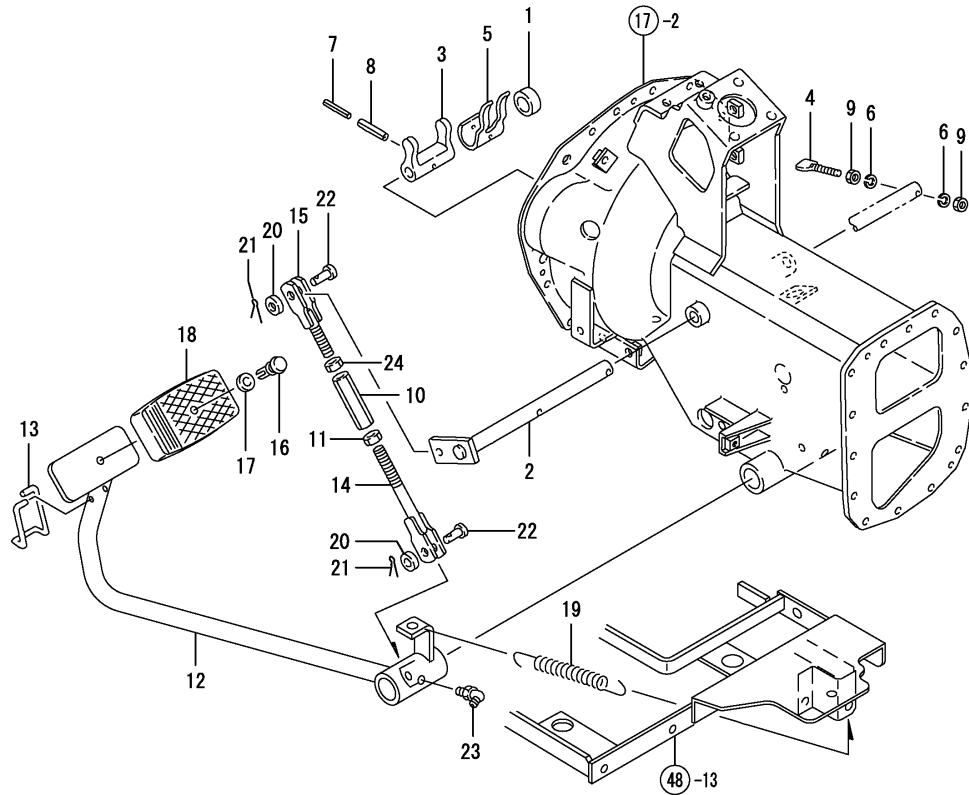
(B)=

(C)=

(D)=

(E)=

(F)=



REF.	LEV.	PARTS NO.	DESCRIPTION	QTY						I	R
				(A)	(B)	(C)	(D)	(E)	(F)		
1	1	1C6560-13470	COLLAR 17X26X9	1							
2	1	198421-22151	SHAFT,RELEASE	1							
2-1	1	198421-22152	SHAFT,RELEASE	1							R
(A)=*2009.03.)											
3	1	194300-22160	YOKE, SHIFT	1							
4	1	194215-22190	LEVER	1							
5	1	194300-22910	SPRING	1							
6	1	22217-060000	SPRING WASHER 6	2							
7	1	22351-035040	SPRING PIN 3.5X40	1							
8	1	22351-060040	SPRING PIN 6X40	1							
9	1	26716-060002	NUT 6	2							
10	1	194740-00322	TURNBUCKLE	1							
11	1	194990-20170	NUT W/WASHER 8	1							
12	1	198162-22410	PEDAL COMPL.,CLUTCH	1							
13	1	198421-22440	LEVER,CLUTCH LOCK	1							
14	1	198425-22450	ROD L COMP.,CLUTCH	1							
15	1	198425-22480	ROD R COMP.,CLUTCH	1							
16	1	198133-22510	RIVET,PEDAL HEAD	1							
17	1	198133-22530	WASHER,RIVET	1							
18	1	198071-37510	COVER,PEDAL HEAD	1							
19	1	198421-37511	SPRING,RETURN	1							
20	1	22137-080000	WASHER 8, POLISHED	2							
21	1	22417-200200	COTTER PIN 2.0X20	2							
22	1	22487-080160	PIN, H8X16	2							
23	1	24761-040000	NIPPLE B,GREASE	1							
24	1	26716-080002	NUT M 8	1							

Fig.19. TRANSMISSION CASE

(A)=KE-60

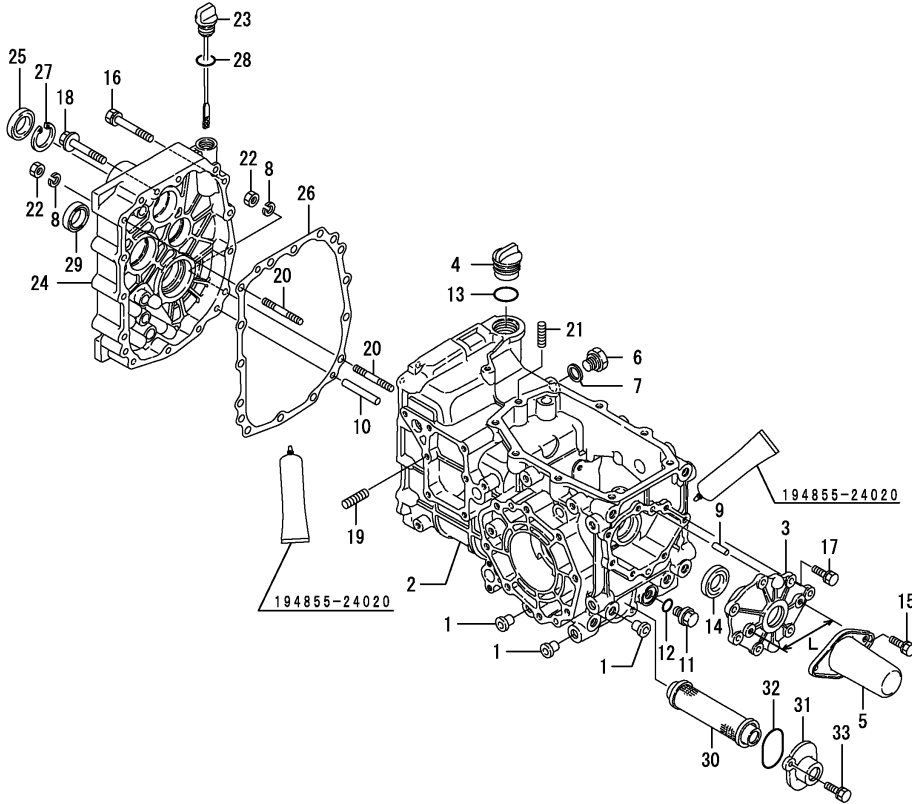
(B)=

(C)=

(D)=

(E)=

(F)=



REF.	LEV.	PARTS NO.	DESCRIPTION	QTY						I	R
				(A)	(B)	(C)	(D)	(E)	(F)		
1	1	194201-11230	CAP 11X21	6							
2	1	198425-24110	MISSION CASE	1							
3	1	198165-24120	REAR COVER,T.MISSION	1							
3-1	1	198165-24121	COVER, REAR CASE	1						S	1
		(A=FZZZZZ)									
4	1	198435-24280	OIL CAP 33	1							
5	1	198290-26860	COVER,P.T.O.SHAFT	1							
6	1	194312-46750	PLUG PF3/8	1							
7	1	194555-77910	GASKET	1							
8	1	22217-080000	WASHER, 8	2							
9	1	22312-080160	PARALLEL PIN 8X 16	2							
10	1	22312-080630	PIN 8X63	2							
11	1	23491-140002	PLUG 14	1							
12	1	24311-000160	O-RING 1A P-16.0	1							
13	1	24351-020300	O-RING 1A 2030	1							
14	1	24421-284008	SEAL TC28 40 08, OIL	1							
15	1	26013-080162	BOLT W/WASHER M8X16	2							
16	1	26013-080702	BOLT M 8X 70	9							
17	1	26016-080252	BOLT M 8X 25	7							
18	1	26106-080702	BOLT M 8X 70 PLATED	3							
19	1	26226-080252	STUD M 8X 25 PLATED	1							
20	1	26226-080652	STUD M 8X 65 PLATED	2							
21	1	26226-100252	STUD M10X 25 PLATED	1							
22	1	26716-080002	NUT M 8	2							
23	1	198435-24290	GAUGE,OIL LEVEL	1							
24	1	198163-24321	PLATE	1							
25	1	198165-24330	SEAL TC254208,OIL	1							
26	1	198164-24510	PACKING,TRANSM.CASE	1							
27	1	22252-000420	CIRCLIP 42	1							
28	1	24311-000180	O-RING 1A P-18.0	1							
29	1	24421-173508	SEAL TC17 35 08, OIL	1							
30	1	198421-24910	STRAINER,OIL	1							
31	1	194215-24970	COVER, STRAINER	1							
32	1	24341-000500	O-RING 1A S-50.0	1							
32-1	1	1A7870-24980	PACKING,SUCTION	1							R
		(A=FXXXXXX)									
33	1	26013-080202	BOLT W/WASHER M8X20	2							

Remarks

(1) L= Ref.No.3 92M/M,3-1 90M/M.

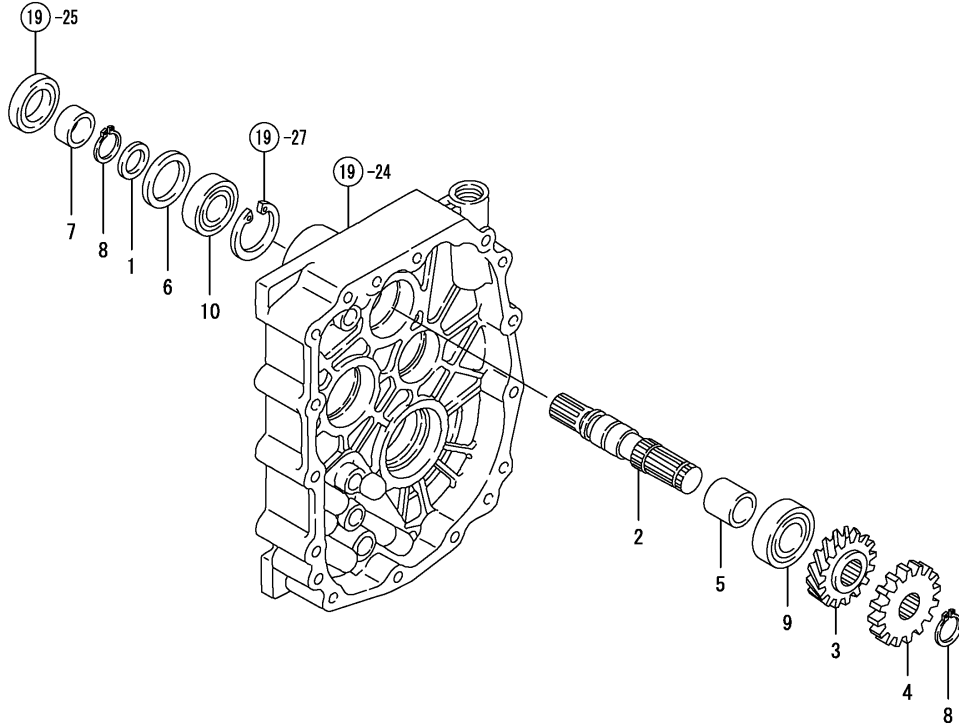
N:Old  $\begin{matrix} \text{Yes} \\ \text{No} \end{matrix}$  New, Q:Old  $\begin{matrix} \text{No} \\ \text{Yes} \end{matrix}$  New, R:Old  $\begin{matrix} \text{Yes} \\ \text{No} \end{matrix}$  New, S:Old  $\begin{matrix} \text{No} \\ \text{Yes} \end{matrix}$  New, W:Add, Z:Discontinued, F:Interchangeable by set, K:Q'ty Change



Fig.20. INPUT SHAFT

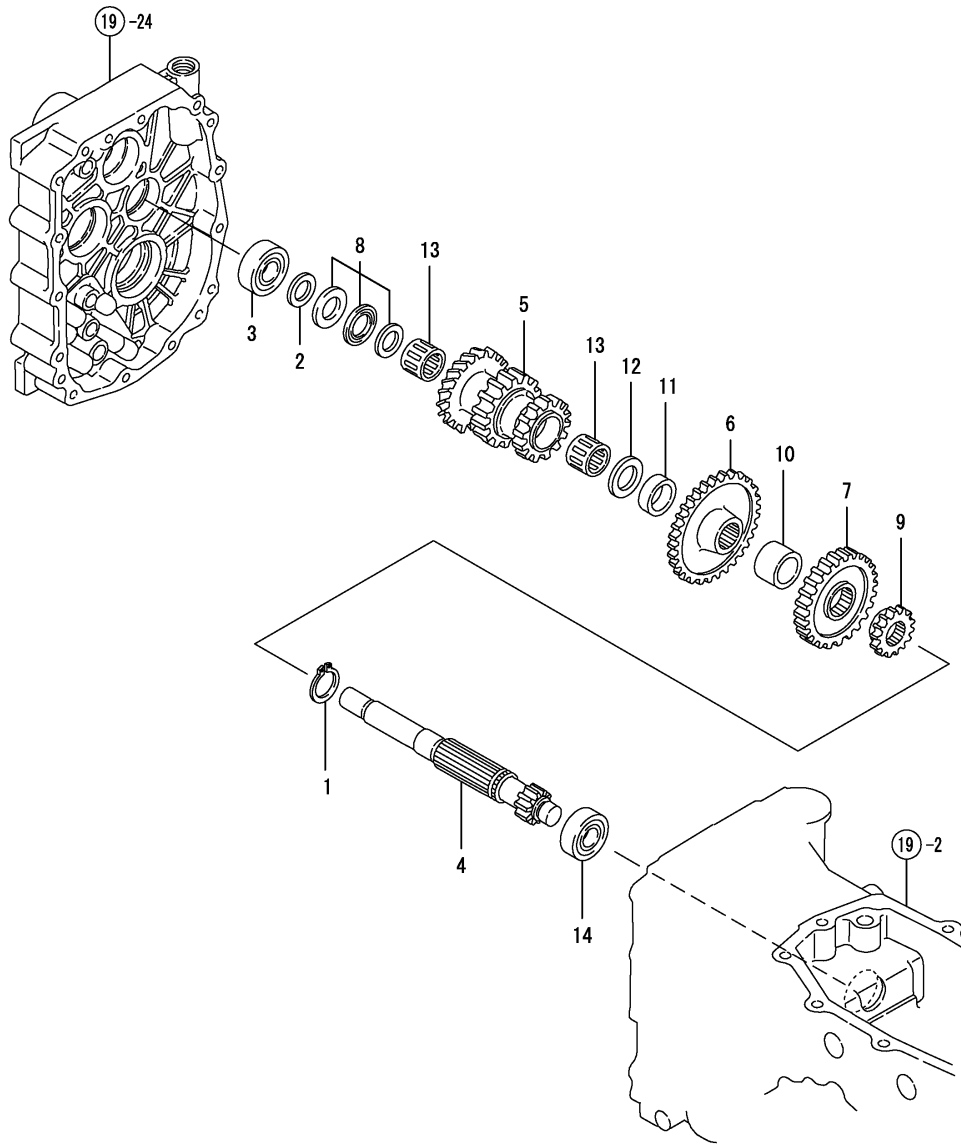
(A)=KE-60  
(B)=  
(C)=

(D)=  
(E)=  
(F)=



REF.	LEV.	PARTS NO.	DESCRIPTION	Q'TY						I	R
				(A)	(B)	(C)	(D)	(E)	(F)		
1	1	194305-24310	COLLAR 20X25X2	1							
2	1	198163-25111	INPUT SHAFT	1							
3	1	198163-25120	GEAR 18,MAIN DRIVE								
4	1	198163-25131	GEAR,Z=16	1							
5	1	198435-25130	COLLAR 20.8X25.4X19	1							
6	1	198163-25280	COLLAR	1							
7	1	194855-25290	SLEEVE SI 202513	1							
8	1	194859-34150	RING 20	2							
9	1	24101-062044	BALL BEARING #6204	1							
10	1	24104-060044	BALL BEARING	1							

Fig.21. MAIN SHAFT



0CNP4-G53100 21. MAIN SHAFT

(A)=KE-60  
(B)=  
(C)=

(D)=  
(E)=  
(F)=

REF.	LEV.	PARTS NO.	DESCRIPTION	Q'TY						I	R
				(A)	(B)	(C)	(D)	(E)	(F)		
1	1	194306-13140	CIRCLIP 24-S	1							
2	1	1E4070-14040	LINER 17.1X25X1	1							
3	1	194305-25160	BALL BEARING	1							
4	1	198163-25210	SHAFT, MAIN	1							
5	1	198163-25221	GEAR,MAIN Z=25-19-18	1							
6	1	198421-25231	GEAR 49,MAIN	1							
7	1	198435-25240	GEAR 31,MAIN	1							
8	1	198163-25250	BEARING ASSY, THRUST	1							
9	1	198421-25250	GEAR 16,MAIN	1							
10	1	198435-25280	SPACER 30X20.2	1							
11	1	198435-25310	SPACER 30X7.95	1							
12	1	194856-25330	WASHER 22X32X2.5	1							
13	1	194856-25340	NEEDLE BEARING	2							
14	1	24101-062034	BALL BEARING	1							

Fig.22. COUNTER SHAFT

(A)=KE-60

(B)=

(C)=

(D)=

(E)=

(F)=

REF.	LEV.	PARTS NO.	DESCRIPTION	QTY						I	R
				(A)	(B)	(C)	(D)	(E)	(F)		
1	1	194306-13140	CIRCLIP 24-S	1							
2	1	194856-25330	WASHER 22X32X2.5	1							
3	1	198435-25720	GEAR 26,COUNTER	1							
4	1	198435-25730	COLLAR,COUNTR.SPLINE	1							
5	1	198163-25740	GEAR, COUNTER	1							
6	1	198163-25750	GEAR,COUNTER	1							
7	1	198163-25770	GEAR 17,COUNTER	1							
8	1	198435-25790	GEAR 24,SLIDE	1							
9	1	198421-25800	WASHER 35X47X2.5,THR	1							
10	1	198435-25801	GEAR 38-56,SLIDE	1							
11	1	198421-25810	COLLAR 25X36X4.5	1							
12	1	198435-25810	BEARING HOLDER	2							
13	1	198421-25820	COLLAR 32X41.5X1	1							
14	1	22551-050180	KEY 5X18	1							
15	1	24101-060044	BALL BEARING #6004	1							
16	1	24101-060064	BALL BEARING	1							
17	1	24101-063054	BEARING #6305	1							
18	1	24161-222610	NEEDLE BEARING	1							
19	1	24165-000262	CIRCLIP 26	1							
20	1	26116-080202	BOLT M 8X 20 PLATED	4							

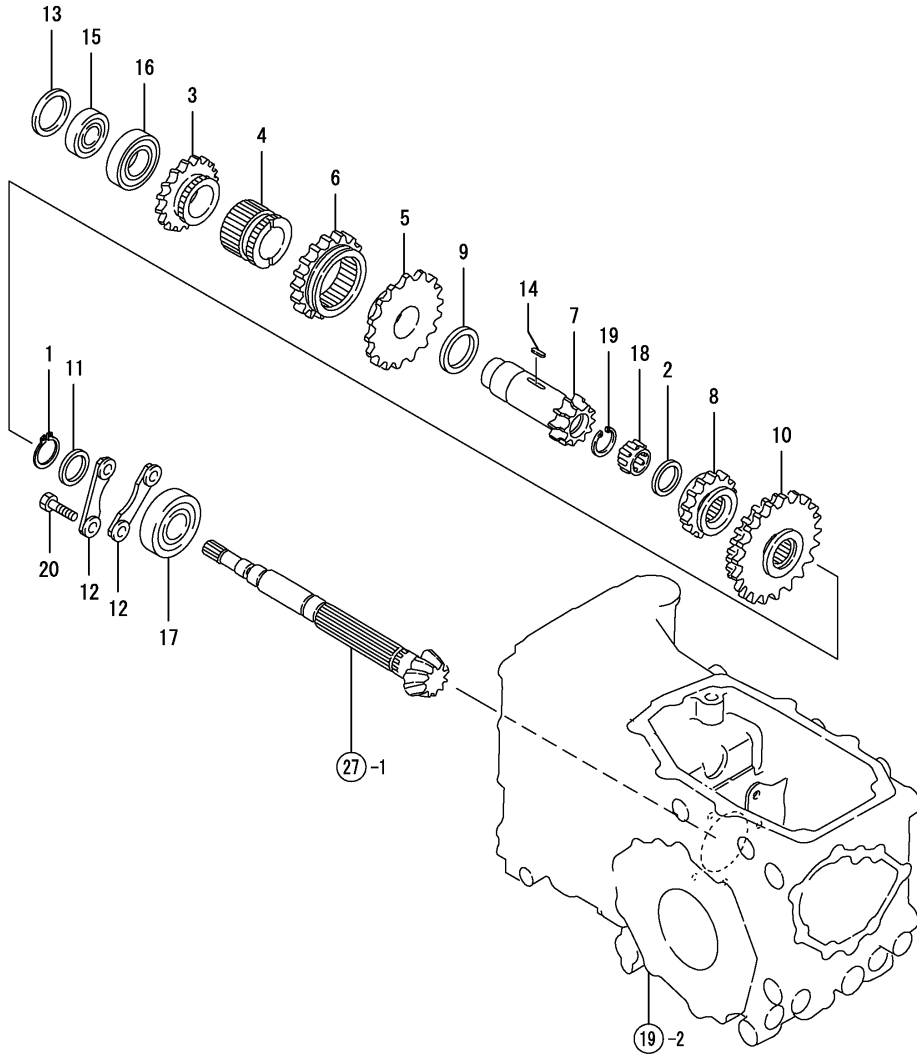


Fig.23. P.T.O. DRIVE SHAFT

(A)=KE-60

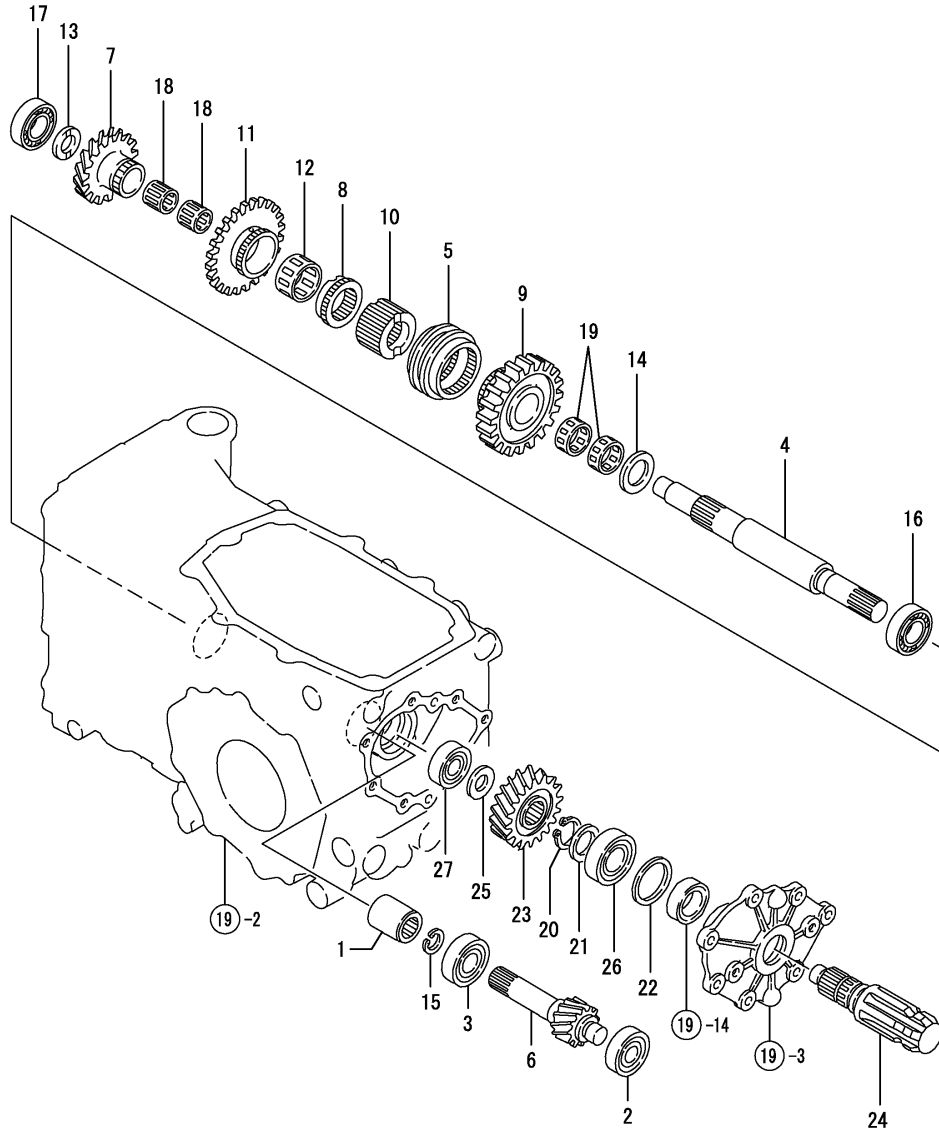
(B)=

(C)=

(D)=

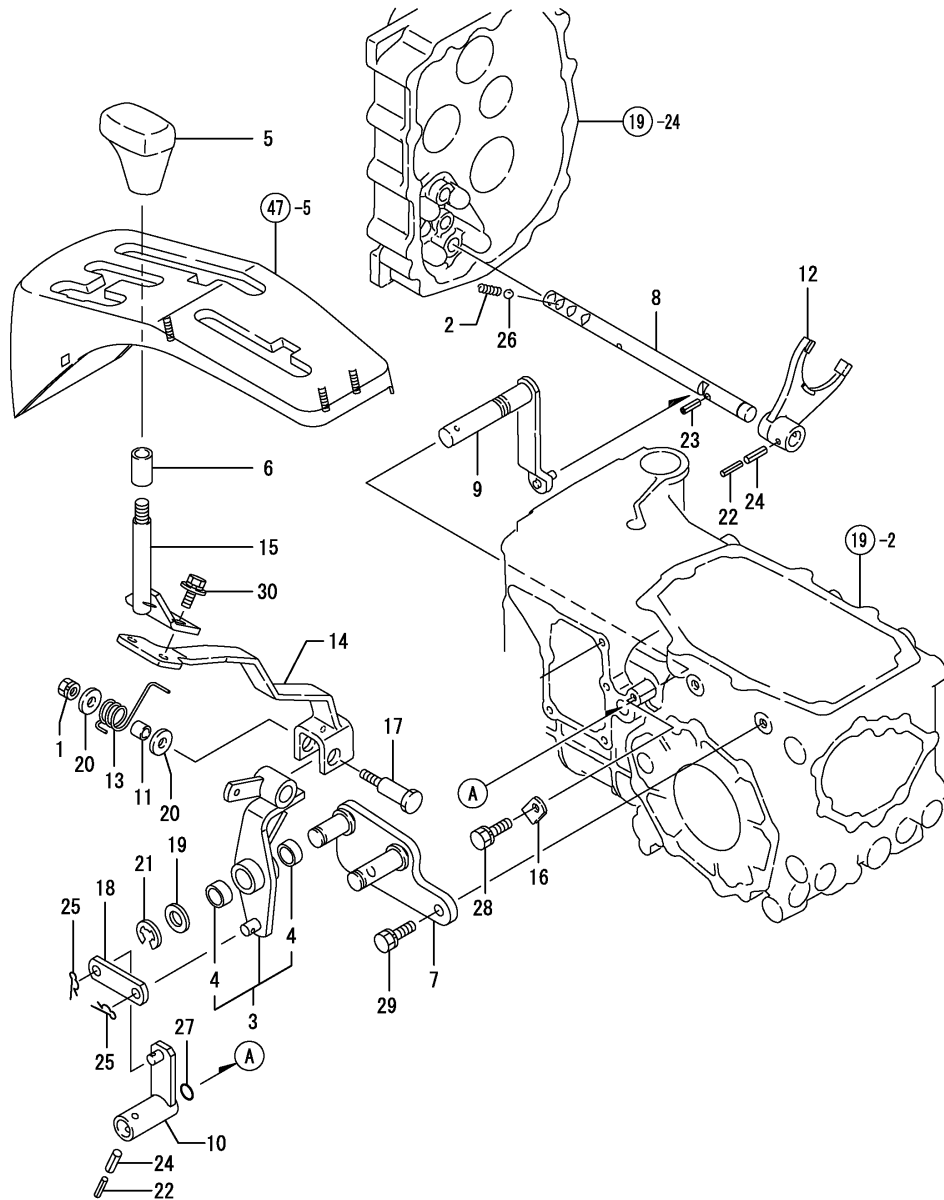
(E)=

(F)=



REF.	LEV.	PARTS NO.	DESCRIPTION	QTY						I	R
				(A)	(B)	(C)	(D)	(E)	(F)		
1	1	194310-25100	JOINT	1							
2	1	198165-26270	BEARING TMB302	1							
3	1	194515-25180	BALL BEARING	1							
4	1	198163-26112	SHAFT,P.T.O.DRIVE	1							
5	1	198163-26121	GEAR, PTO SLIDE	1							
6	1	198162-26130	GEAR 11,P.T.O.	1							
7	1	198163-26153	GEAR,PTO DRIVE Z=24	1							
8	1	198163-26162	GEAR, SPLINE COLLAR	1							
9	1	198163-26180	GEAR,PTO DRIVE Z=28	1							
10	1	198163-26190	COLLAR,PTO SPLINE	1							
11	1	198163-26212	GEAR,Z=29T	1							
12	1	198163-26240	NEEDLE,323615	1							
13	1	198163-26410	WASHER	1							
14	1	194191-28540	WASHER 25X38X 2.5	1							
15	1	22252-000170	CIRCLIP 17	1							
16	1	24104-060044	BALL BEARING	1							
17	1	24104-063034	BALL BEARING	1							
18	1	24161-202417	BEARING	2							
19	1	24161-252910	NEEDLE BEARING	2							
20	1	194306-13140	CIRCLIP 24-S	1							
21	1	198421-13650	WASHER 25X34X1.2	1							
22	1	194855-24150	WASHER 36X45.5X1.2	1							
23	1	198163-26230	GEAR, Z=21	1							
24	1	198531-26310	SHAFT, P.T.O.	1							
25	1	1E6190-54160	WASHER 17.2X30X1.5	1							
26	1	24101-060054	BALL BEARING 6005	1							
27	1	24101-062034	BALL BEARING	1							

Fig.24. MAIN CHANGE



(A)=KE-60

(B)=

(C)=

(D)=

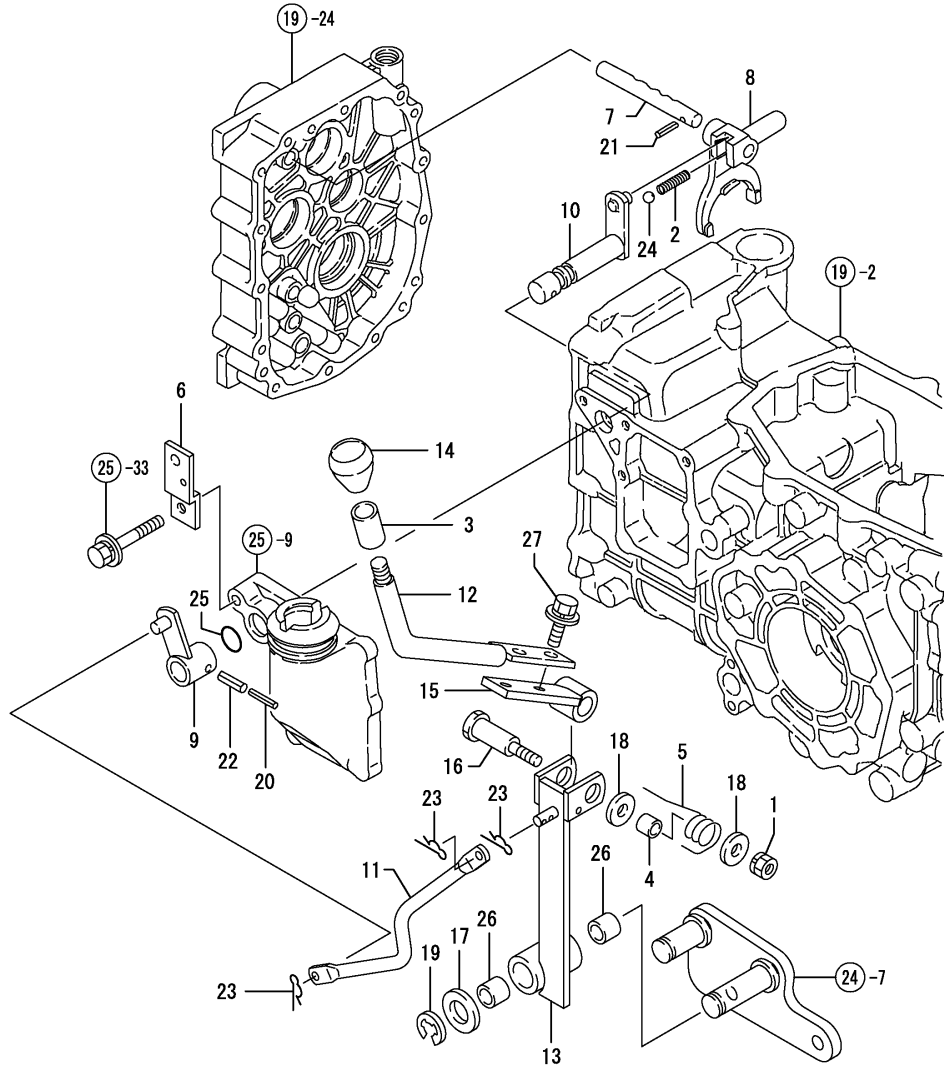
(E)=

(F)=

REF.	LEV.	PARTS NO.	DESCRIPTION	QTY						I	R
				(A)	(B)	(C)	(D)	(E)	(F)		
1	1	194990-22050	NUT W/WASHER 8	1							
2	1	198421-27110	SPRING 38.4	1							
3	1	198163-27200	LEVER KIT,MAIN RANGE	1							
4	2	24550-018100	BUSH 18X10	2							
5	1	198421-27240	KNOB,MAIN CHG.LEVER	1							
6	1	198165-27350	LEVER TUBE	1							
7	1	198163-27510	BRACKET, LEVER	1							
8	1	198163-27520	SHAFT FORK,M.CHANGE	1							
9	1	198421-27521	ARM, SHIFT	1							
10	1	198163-27531	LEVER A,MAIN CHANGE	1							
11	1	198163-27540	COLLAR	1							
12	1	198435-27551	FORK, SHIFT	1							
13	1	198163-27560	SPRING	1							
14	1	198163-27572	LEVER, M.RANGE INNER	1							
15	1	198163-27630	LEVER,MAIN CHANGE	1							
16	1	194197-27681	PLATE, KEEP	1							
17	1	198163-27910	PIN	1							
18	1	198327-47930	PLATE, LINK	1							
19	1	22137-180000	WASHER 18	1							
20	1	22157-080000	WASHER 8	2							
21	1	22272-000150	CIRCLIP E-15	1							
22	1	22351-035025	SPRING PIN 3.5X25	2							
23	1	22351-060020	SPRING PIN 6X20	1							
24	1	22351-060025	SPRING PIN 6X25	2							
25	1	22360-100000	SNAP PIN 10	2							
26	1	24190-100001	BALL 5/16, STEEL	1							
27	1	24311-000125	O-RING 1A P-12.5	1							
28	1	26013-080202	BOLT W/WASHER M8X20	1							
29	1	26013-080252	BOLT M 8X 25	2							
30	1	26018-080202	BOLT M 8X 20	2							



Fig.26. P.T.O. CHANGE



(A)=KE-60

(B)=

(C)=

(D)=

(E)=

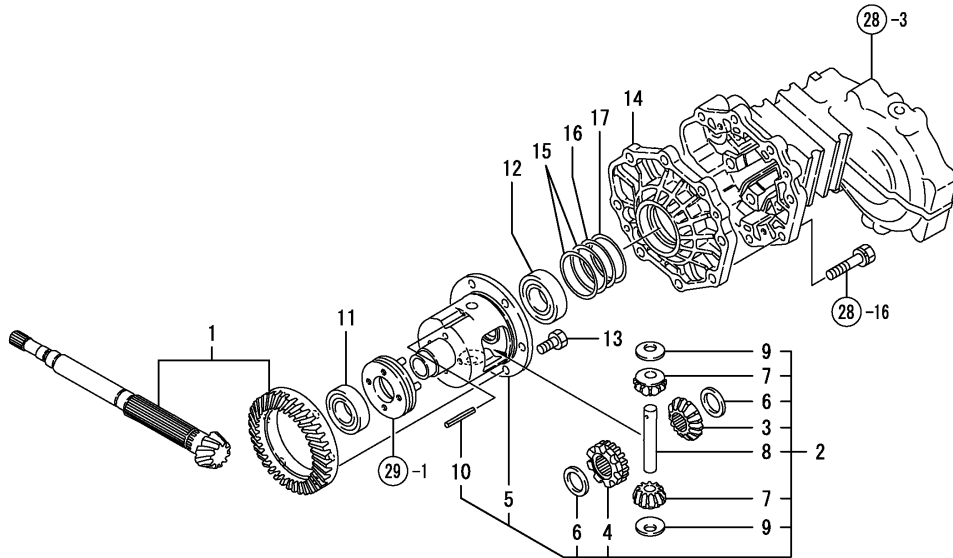
(F)=

REF.	LEV.	PARTS NO.	DESCRIPTION	Q'TY						I	R
				(A)	(B)	(C)	(D)	(E)	(F)		
1	1	194990-22050	NUT W/WASHER 8	1							
2	1	198421-27110	SPRING 38.4	1							
3	1	198165-27350	LEVER TUBE	1							
4	1	198163-27540	COLLAR	1							
5	1	198163-27560	SPRING	1							
6	1	198163-27870	KEY	1							
7	1	198163-27711	FORK SHAFT	1							
8	1	198163-27720	FORK,P.T.O.SHIFT	1							
9	1	198163-27730	ARM, P.T.O. SHIFT	1							
10	1	198435-27740	ARM,P.T.O.	1							
11	1	198163-27760	LINK,P.T.O.SHIFT	1							
12	1	198163-27770	LEVER,PTO UPPER	1							
13	1	198163-27790	LEVER,P.T.O.LOWER	1							
13-1	1	198163-27791	LEVER,P.T.O.LOWER	1							N
(A=*2009.02.)											
14	1	194420-27810	KNOB	1							
15	1	198163-27840	LEVER,P.T.O.INNER	1							
16	1	198163-27910	PIN	1							
17	1	22137-180000	WASHER 18	1							
18	1	22157-080000	WASHER 8	2							
19	1	22272-000150	CIRCLIP E-15	1							
20	1	22351-035025	SPRING PIN 3.5X25	1							
21	1	22351-050020	SPRING PIN 5X20	1							
22	1	22351-060025	SPRING PIN 6X25	1							
23	1	22360-080000	SNAP PIN 8	3							
23-1	1	1C6281-52320	PIN 8,COME-OFF SNAP	3							R
(A=*2009.02.)											
24	1	24190-100001	BALL 5/16, STEEL	1							
25	1	24311-000125	O-RING 1A P-12.5	1							
26	1	24550-018100	BUSH 18X10	2							
27	1	26018-080202	BOLT M 8X 20	2							

Fig.27. RING GEAR

(A)=KE-60  
(B)=  
(C)=

(D)=  
(E)=  
(F)=



REF.	LEV.	PARTS NO.	DESCRIPTION	QTY						I	R
				(A)	(B)	(C)	(D)	(E)	(F)		
1	1	198164-31340	GEAR ASSY,RING	1							
2	1	1A6780-31500	CASE ASSY,DIFF	1							
3	2	198421-31510	GEAR,DIFF.SIDE	1							
4	2	1A6780-31520	GEAR, DIFF.SIDE(LOCK	1							
5	2	198421-31530	CASE,DIFFERENTIAL	1							
6	2	198421-31550	LINER,DIFF.SIDE GEAR	2							
7	2	194300-31560	GEAR, DIFFERENTIAL	2							
8	2	194300-31570	SHAFT, DIFFERENTIAL	1							
9	2	194300-31620	WASHER, DIFFERENTIAL	2							
10	2	22351-040040	SPRING PIN 4X40	1							
11	1	24101-060064	BALL BEARING	1							
12	1	24101-060074	BALL BEARING	1							
13	1	26156-100162	BOLT M10X16	6							
14	1	198165-32311	CARRIER,DIFFERENTIAL	1							
15	1	198421-32320	SHIM 0.1,DIF.CARRIER	2							
16	1	198421-32330	SHIM 0.3,DIF.CARRIER	1							
17	1	198421-32340	SHIM 0.5,DIF.CARRIER	1							



Fig.28. REAR HOUSING

(A)=KE-60

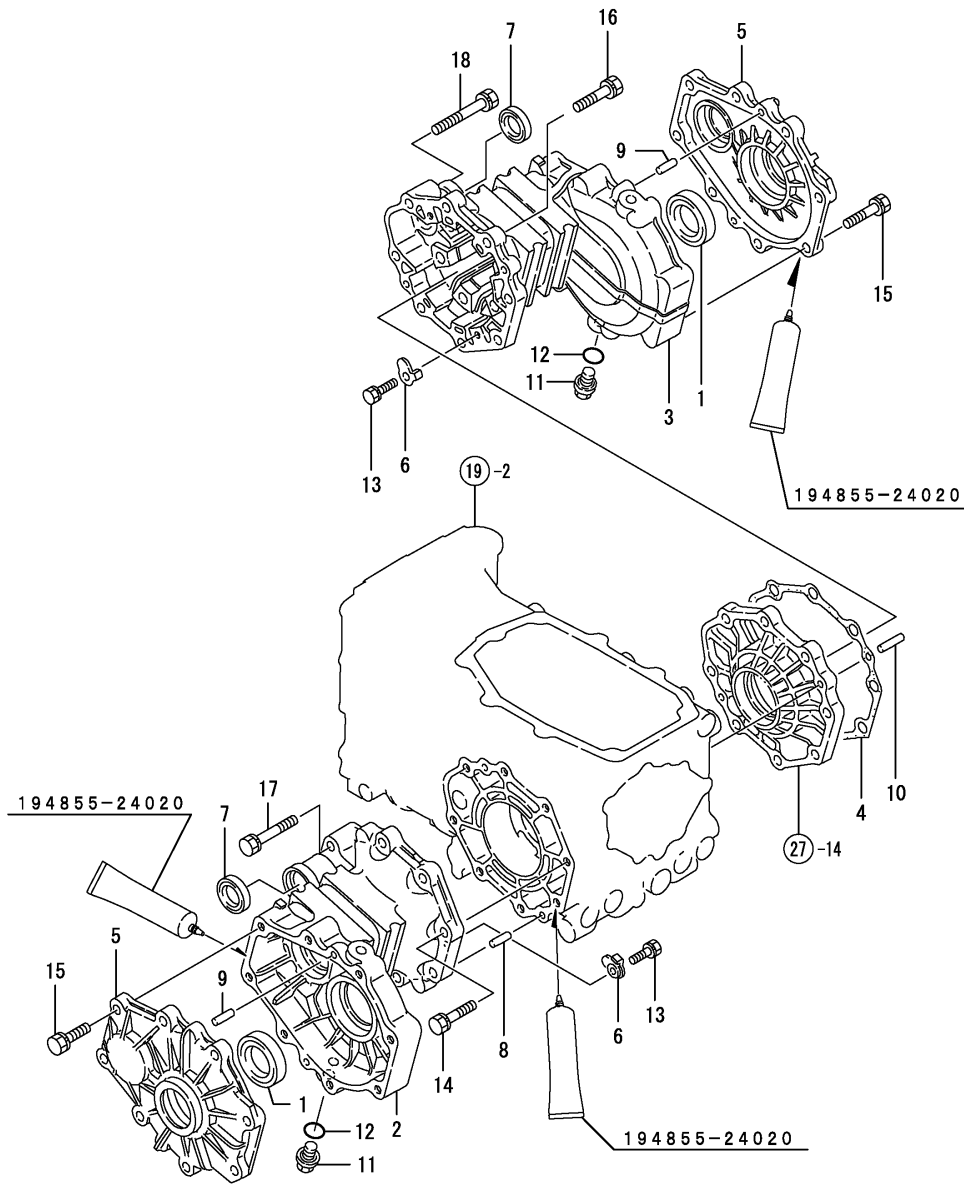
(B)=

(C)=

(D)=

(E)=

(F)=

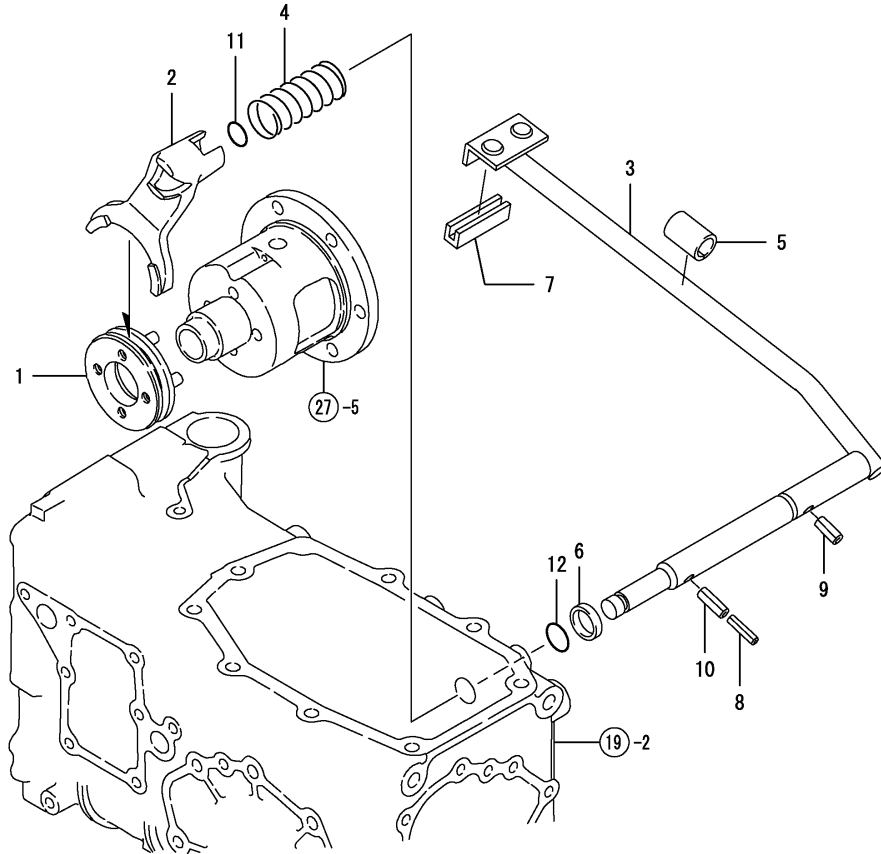


REF.	LEV.	PARTS NO.	DESCRIPTION	QTY						I	R
				(A)	(B)	(C)	(D)	(E)	(F)		
1	1	194447-13650	SEAL TC6Y445711.5	2							
2	1	198165-32610	HOUSING L,REAR AXLE	1							
3	1	198165-32620	HOUSING R,REAR AXLE	1							
4	1	198421-32630	PACKING,HOUSING	1							
5	1	198425-32640	COVER,REAR AXLE	2							
6	1	198421-32660	STOPPER,STEEL PLATE	4							
7	1	198290-32750	SEAL TC253506,OIL	2							
8	1	22312-080180	PARALLEL PIN, M8X16	2							
9	1	22312-080200	PARALLEL PIN, M8X20	4							
10	1	22312-080320	PARALLEL PIN, M8X32	2							
11	1	23491-140002	PLUG 14	2							
12	1	24311-000160	O-RING 1A P-16.0	2							
13	1	26013-080202	BOLT W/WASHER M8X20	4							
14	1	26013-100402	BOLT M10X 40	6							
15	1	26013-100402	BOLT M10X 40	16							
16	1	26013-100502	BOLT M10X 50	6							
17	1	26013-100552	BOLT M10X 55	2							
18	1	26013-100652	BOLT 10X65 W/SP.WSHR	2							

Fig.29. DIFFERENTIAL LOCK

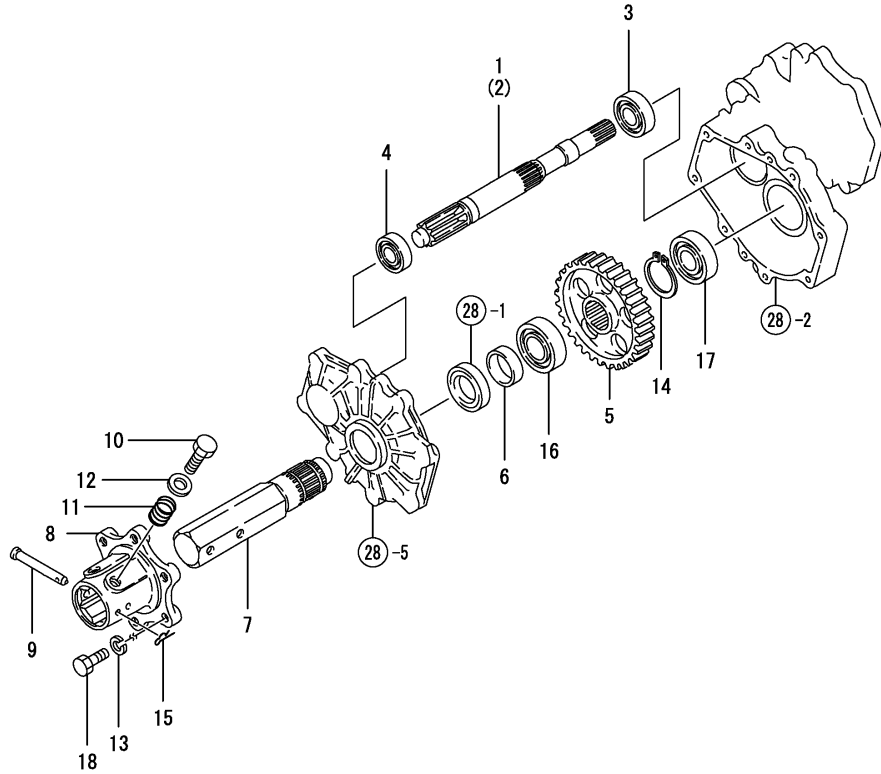
(A)=KE-60  
(B)=  
(C)=

(D)=  
(E)=  
(F)=



REF.	LEV.	PARTS NO.	DESCRIPTION	QTY						I	R
				(A)	(B)	(C)	(D)	(E)	(F)		
1	1	198421-33110	SLIDER,DIFF.LOCK	1							
2	1	198421-33120	FORK,DIFF.LOCK SHIFT	1							
3	1	198162-33130	PEDAL, DIFF. LOCK	1							
4	1	198421-33140	SPRING,DIFF.LOCK	1							
5	1	198421-33150	PIPE,VINYL	1							
6	1	198421-33170	SPACER 20X25X3.2	1							
7	1	1A6750-61830	RUBBER	1							
8	1	22351-050040	SPRING PIN 5X40	1							
9	1	22351-080032	SPRING PIN 8X32	1							
10	1	22351-080040	SPRING PIN 8X40	1							
11	1	24311-000110	O-RING 1A P-11.0	1							
12	1	24311-000160	O-RING 1A P-16.0	1							

Fig.30. FINAL PINION & REAR AXLE



0CNP4-G53100 30. FINAL PINION & REAR AXLE

(A)=KE-60  
(B)=  
(C)=

(D)=  
(E)=  
(F)=

REF.	LEV.	PARTS NO.	DESCRIPTION	QTY						I	R
				(A)	(B)	(C)	(D)	(E)	(F)		
1	1	198164-33410	PINION,FINAL	1							
2	1	198164-33420	PINION, FINAL	1							
3	1	24101-060060	BALL BEARING	2							
4	1	24101-062040	BALL BEARING	2							
5	1	198164-33510	GEAR,FINAL	2							
6	1	194447-13640	SLEEVE SI404415	2							
7	1	198421-34110	SHAFT,REAR AXLE	2							
8	1	198425-34730	HUB, WHEEL	2							
9	1	194200-34750	PIN 10X78	2							
10	1	1A1040-36010	BOLT, FLANGE	4							
11	1	1A1040-36040	SPRING, FLANGE BOLT	4							
12	1	22137-160000	WASHER 16,POLISHED	4							
13	1	22217-120000	SPRING WASHER 12	12							
14	1	22242-000400	CIRCLIP 40	2							
15	1	22372-100000	SNAP PIN 10	2							
16	1	24101-060080	BALL BEARING	2							
17	1	24101-062060	BALL BEARING	2							
18	1	26156-120252	BOLT M12X 25 PLATED	12							



Fig.32. DISK BRAKE

(A)=KE-60  
(B)=  
(C)=

(D)=  
(E)=  
(F)=

REF.	LEV.	PARTS NO.	DESCRIPTION	QTY						I	R
				(A)	(B)	(C)	(D)	(E)	(F)		
1	1	198421-36310	ACTUATOR L	1							
2	1	198421-36321	PLATE 2.6P	2							
3	1	198421-36330	SHAFT L,CAM LEVER	1							
4	1	198162-36380	PLATE 116P FRICTION	2							
5	1	22242-000250	CIRCLIP 25S	1							
6	1	24190-160001	BALL 1/2	6							
7	1	198421-36321	PLATE 2.6P	2							
8	1	198162-36380	PLATE 116P FRICTION	2							
9	1	198421-36410	ACTUATOR (R)	1							
10	1	198421-36430	SHAFT R,CAM LEVER	1							
11	1	22242-000250	CIRCLIP 25S	1							
12	1	24190-160001	BALL 1/2	6							

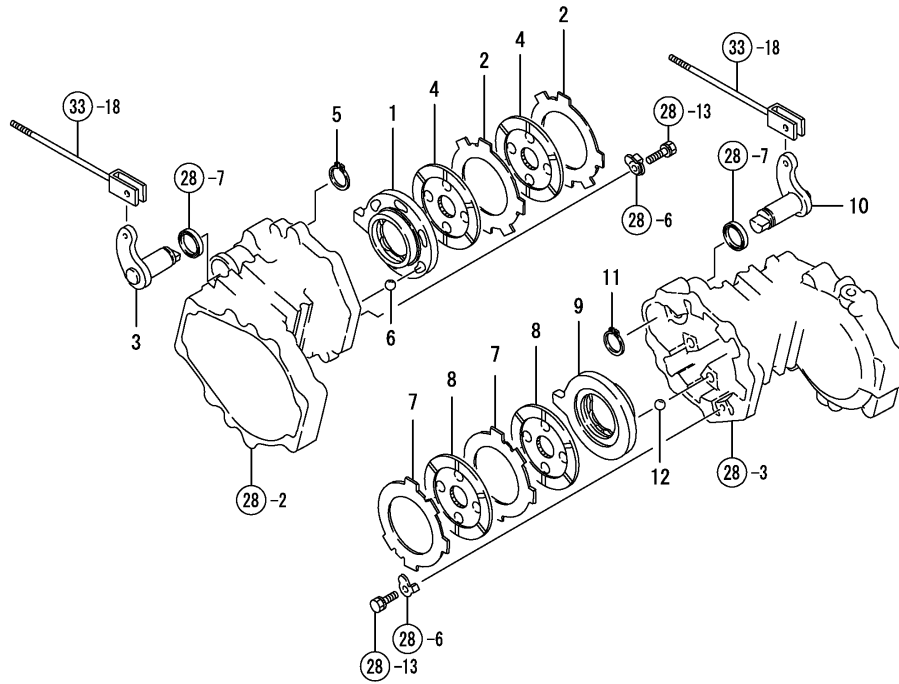


Fig.33. BRAKE PEDAL

(A)=KE-60

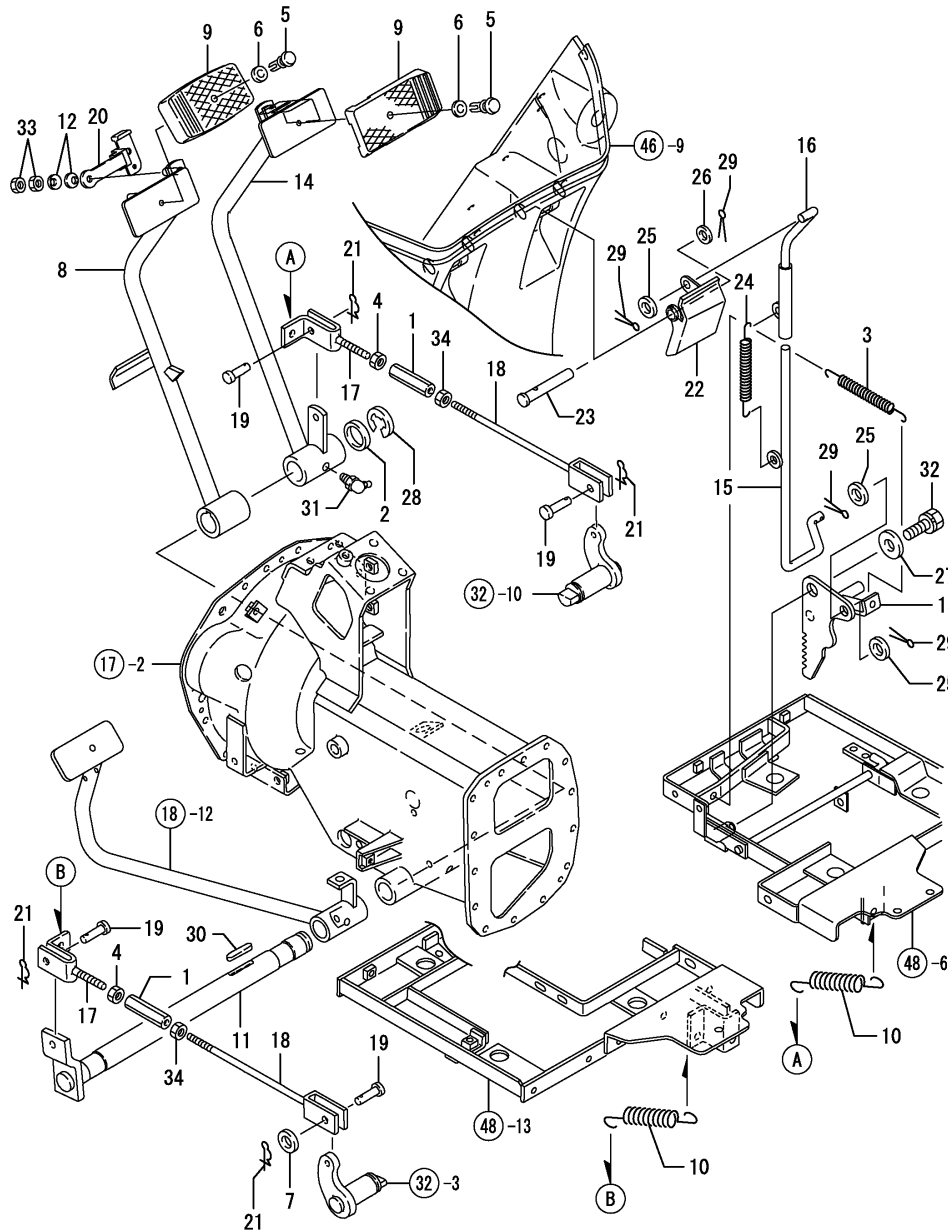
(B)=

(C)=

(D)=

(E)=

(F)=



REF.	LEV.	PARTS NO.	DESCRIPTION	QTY						I	R
				(A)	(B)	(C)	(D)	(E)	(F)		
1	1	194740-00322	TURNBUCKLE	2							
2	1	1C6140-14050	SPACER 25.2X34X2	1							
3	1	1C6320-16440	SPRING 11X55.5	1							
4	1	194990-20170	NUT W/WASHER 8	2							
5	1	198133-22510	RIVET,PEDAL HEAD	2							
6	1	198133-22530	WASHER,RIVET	2							
7	1	1C6053-32020	WASHER 8.5X20X3.2	1							
8	1	198162-37302	PEDAL ASSY, BRAKE L	1							
9	1	198071-37510	COVER,PEDAL HEAD	2							
10	1	198421-37511	SPRING,RETURN	2							
11	1	198421-37550	SHAFT,BRAKE PEDAL	1							
12	1	194300-37570	SPRING, CONICAL	2							
13	1	198162-37641	LEVER, BRAKE LOCK	1							
14	1	198164-37651	PEDAL ASSY,BRAKE R	1							
15	1	198162-37670	ROD,PARKING BRAKE	1							
16	1	198162-37681	ROD B,PARKING BRAKE	1							
17	1	198421-37750	SCREW,BRAKE ROD L	2							
18	1	198425-37760	SCREW,BRAKE ROD R	2							
19	1	194080-37781	PIN 8X25	4							
20	1	1C6950-45410	CONNECTOR,FLEX.BRAKE	1							
21	1	1C6281-52320	PIN 8,COME-OFF SNAP	4							
22	1	198162-61661	LEVER,P.BRAKE	1							
23	1	198162-61670	PIN	1							
24	1	1C6360-82210	SPRING,MARKER LOCK	1							
25	1	22117-100000	WASHER 10	3							
26	1	22137-120000	WASHER 12,POLISHED	1							
27	1	22157-080000	WASHER 8	1							
28	1	22272-000190	CIRCLIP E-19	1							
29	1	22417-200320	COTTER PIN 2.0X32	1							
30	1	22512-070400	KEY, 7X40	1							
31	1	24761-040000	NIPPLE B,GREASE	1							
32	1	26013-080202	BOLT W/WASHER M8X20	1							
33	1	26716-080002	NUT M 8	2							
34	1	26716-080002	NUT M 8	2							

Fig.34. HYDRAULIC CYLINDER CASE

(A)=KE-60

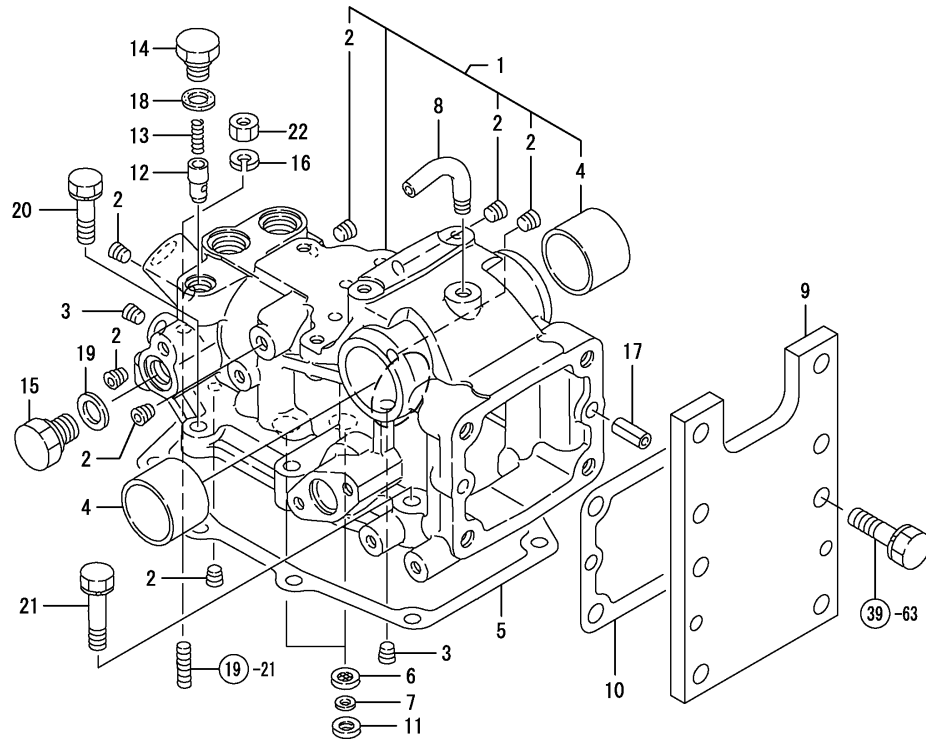
(B)=

(C)=

(D)=

(E)=

(F)=



REF.	LEV.	PARTS NO.	DESCRIPTION	Q'TY						I	R
				(A)	(B)	(C)	(D)	(E)	(F)		
1	1	198421-42102	CASE, HYDRAULIC CYL.	1							
2	2	23871-010000	PLUG PT1/8, SCREW	7							
3	2	23871-020000	PLUG PT1/4, SCREW	2							
4	2	24550-040300	BUSH 40X30	2							
5	1	198165-42120	PACKING, CYLINDER	1							
6	1	194850-42180	STRAINER	2							
7	1	194850-42190	SPACER	2							
8	1	194205-42280	PIPE, AIR BREATHER	1							
9	1	198162-42810	BASE, TOP LINK	1							
10	1	194151-42832	GASKET, (NON-ASB.)	1							
11	1	194630-43230	PACKING	2							
12	1	194310-46350	POPPET, CHECK	1							
13	1	194310-46380	SPRING	1							
14	1	194310-46730	PLUG 14	1							
15	1	194312-46750	PLUG PF3/8	1							
16	1	22217-100000	SPRING WASHER 10	1							
17	1	22351-100025	SPRING PIN 10X25	2							
18	1	23414-140018	GASKET 14	1							
19	1	23414-170022	GASKET 17	1							
20	1	26016-100352	BOLT M10X 35	4							
21	1	26016-100452	BOLT M10X 45	4							
22	1	26716-100002	NUT 10	1							







Fig.37. CONTROL VALVE

(A)=KE-60

(B)=

(C)=

(D)=

(E)=

(F)=

REF.	LEV.	PARTS NO.	DESCRIPTION	QTY						I	R
				(A)	(B)	(C)	(D)	(E)	(F)		
1	1	198435-45101	VALVE ASSY, CONTROL	1							
2	2	194940-45540	PIN,SPOOL	1							
3	2	23871-010000	PLUG PT1/8,SCREW	2							
4	2	194170-45220	BAR, PUSH	1							
5	2	1A6640-45230	VALVE,SP FLW.DIVID.	1							
6	2	194170-45230	SPRING	1							
7	2	194170-45321	SPRING	1							
8	2	194850-45330	PLUG	1							
9	2	194170-45350	SPOOL	1							
10	2	194170-45360	SPRING	1							
11	2	194170-45370	PLUG	1							
12	2	194170-45430	RING, BACK UP	1							
13	2	194170-45440	PLUG	1							
14	2	198421-45440	HOLDER, M.CHECK	1							
15	2	194940-45520	SPRING,SPOOL	1							
16	2	194170-45550	BAR, SPOOL	1							
17	2	194170-45560	WASHER 12X40X0.6	1							
18	2	198431-45560	RETAINER, SPRING	1							
19	2	24311-000050	O-RING 1A P-5.0	1							
20	2	24311-000100	O-RING 1A P-10.0	1							
21	2	24311-000120	PACKING, P 12.0	1							
22	2	24311-000120	PACKING, P 12.0	1							
23	2	24311-000140	O-RING 1A P-14.0	1							
24	2	24315-000070	O-RING 1B P-7.0	1							
25	2	24315-000110	O-RING 1B P-11.0	1							
26	2	26116-060162	BOLT 6X16	1							
27	2	26756-060002	LOCK NUT 6	1							
28	1	26450-080252	BOLT M 8X 25	3							

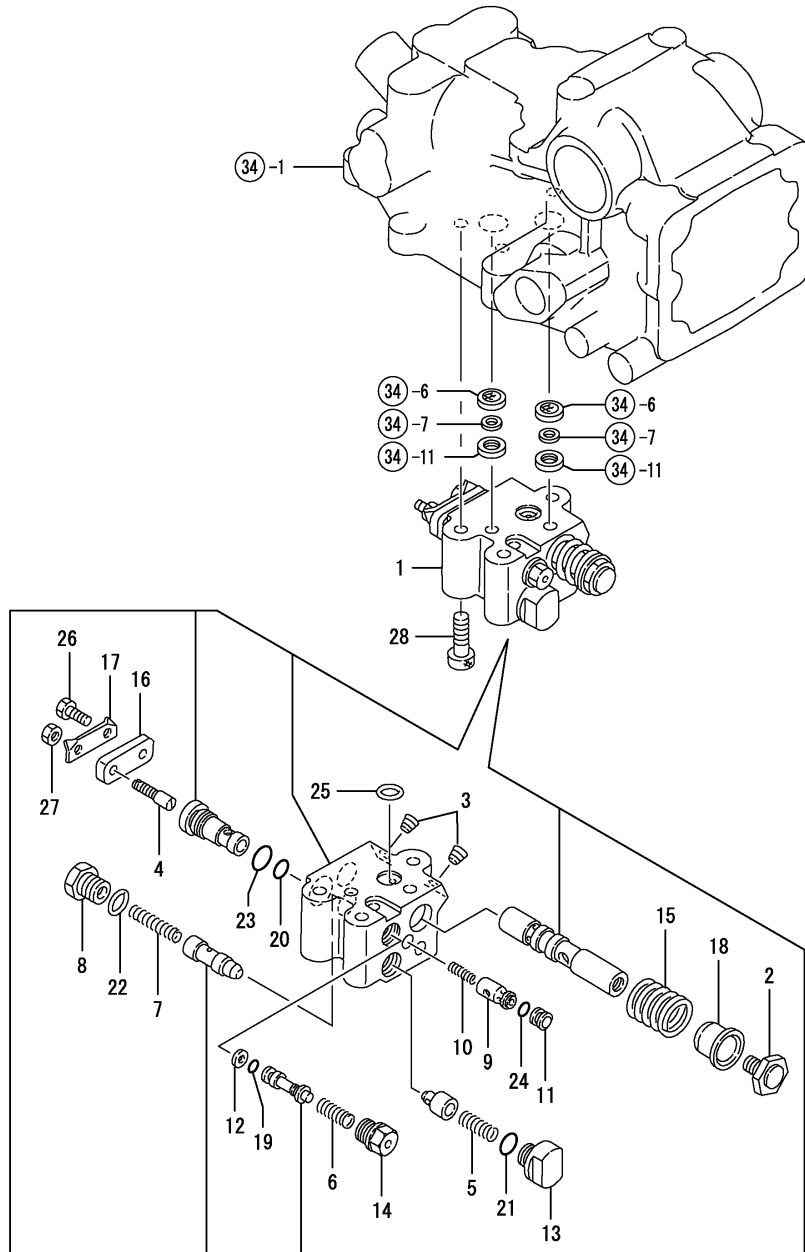


Fig.38. RELIEF VALVE

(A)=KE-60

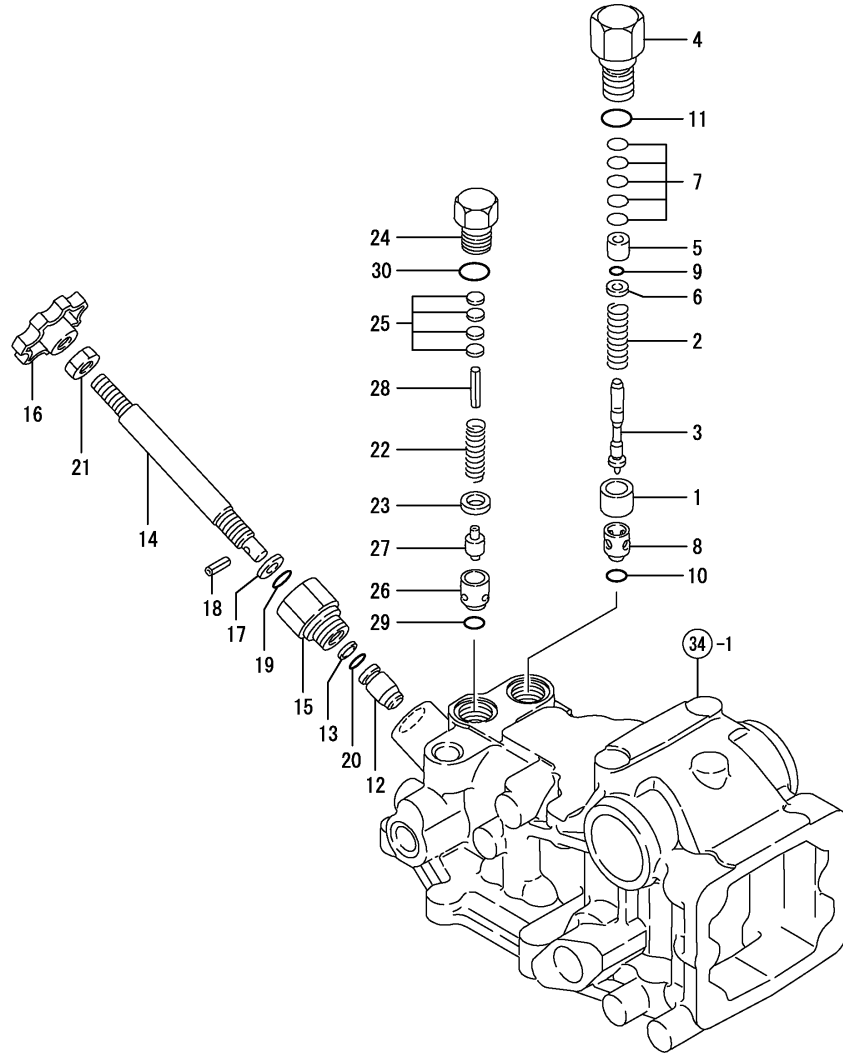
(B)=

(C)=

(D)=

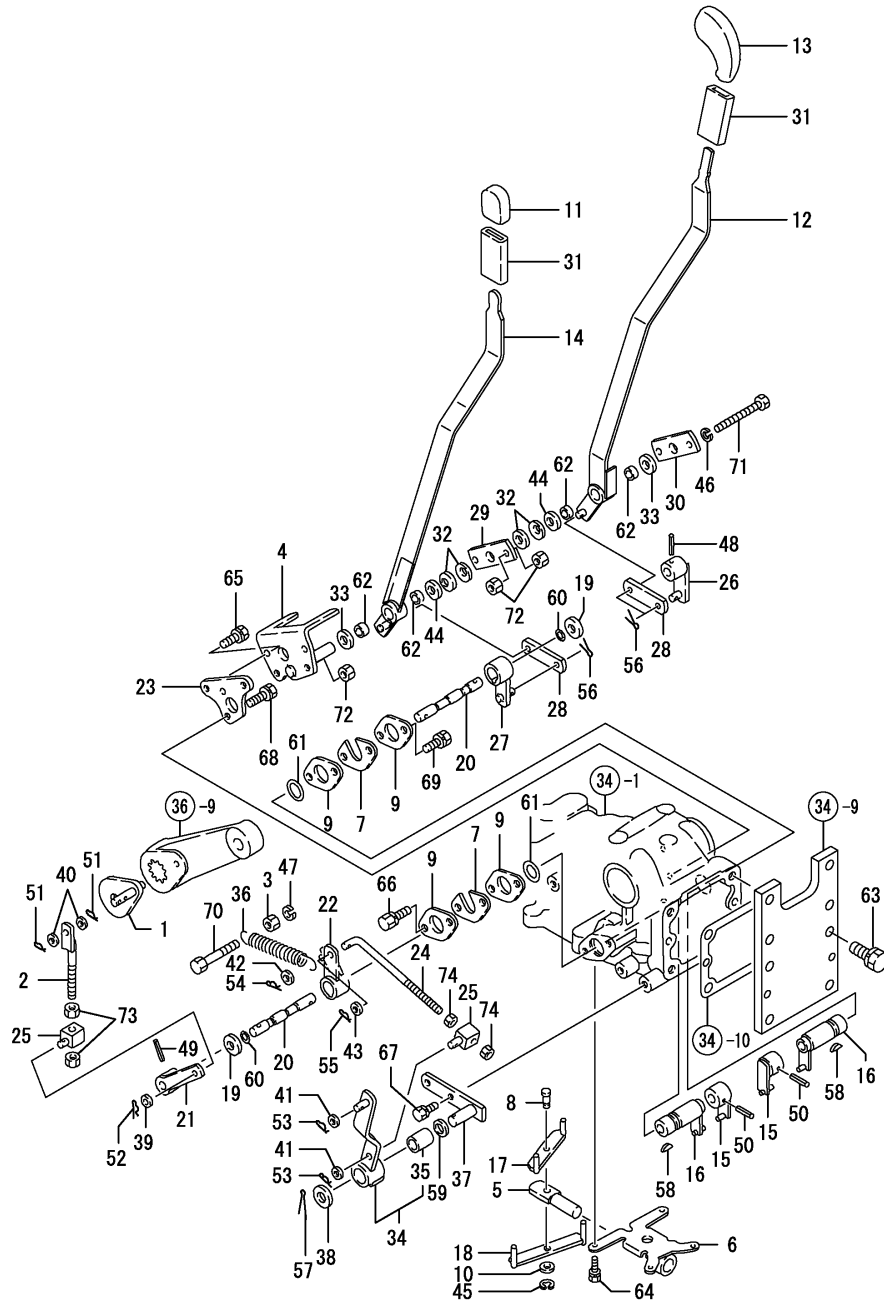
(E)=

(F)=



REF.	LEV.	PARTS NO.	DESCRIPTION	Q'TY						I	R
				(A)	(B)	(C)	(D)	(E)	(F)		
1	1	198220-45340	COLLAR, VALVE SEAT	1							
2	1	198163-45610	SPRING,RELIEF VALVE	1							
3	1	194195-45620	POPPET	1							
4	1	198220-45630	PLUG, RELIEF VALVE	1							
5	1	194195-45640	SEAT, SPRING	1							
6	1	194195-45650	WASHER	1							
7	1	194850-45700	SHIM PACK	1							
8	1	194195-46260	SEAT, RELIEF VALVE	1							
9	1	194850-49230	O-RING 6X1.8	1							
10	1	24311-000120	PACKING, P 12.0	1							
11	1	24311-000180	O-RING 1A P-18.0	1							
12	1	198421-46302	VALVE, STOP	1							
13	1	194180-46320	RING, BACK UP	1							
14	1	194640-46620	BOLT, STOP	1							
15	1	194312-46630	HOLDER, VALVE	1							
16	1	194555-46640	KNOB	1							
17	1	22117-080000	WASHER 8	1							
18	1	22351-040012	SPRING PIN 4X12	1							
19	1	24311-000120	PACKING, P 12.0	1							
20	1	24315-000100	O-RING 1B P-10.0	1							
21	1	26716-100002	NUT 10	1							
22	1	194150-45320	SPRING, RELIEF VALVE	1							
23	1	198220-45350	COLLAR	1							
24	1	198220-45370	PLUG, SAFETY VALVE	1							
25	1	198220-46400	SHIM PACK	1							
26	1	194640-46410	SEAT, SAFETY VALVE	1							
27	1	194640-46420	POPPET, SAFETY VALVE	1							
28	1	22351-060028	SPRING PIN 6X28	1							
29	1	24311-000120	PACKING, P 12.0	1							
30	1	24311-000180	O-RING 1A P-18.0	1							

Fig.39. HYDRAULIC CONTROL



(A)=KE-60

(B)=

(C)=

(D)=

(E)=

(F)=

REF.	LEV.	PARTS NO.	DESCRIPTION	Q'TY						I	R
				(A)	(B)	(C)	(D)	(E)	(F)		
1	1	198431-44510	ARM,FEEDBACK	1							
2	1	194208-47510	ROD, FEED BACK	1							
3	1	26716-080002	NUT M 8	1							
4	1	198435-47310	STOPPER, CONTROL	1							
5	1	198431-47320	ROD,CONTROL	1							
6	1	198431-47330	PLATE	1							
7	1	194555-47340	PLATE (A)	2							
8	1	198431-47340	PIN,CONTROL	1							
9	1	194555-47350	PLATE	4							
10	1	198431-47350	WASHER	1							
11	1	198435-47350	KNOB,AUTO-ROTARY	1							
12	1	198163-47360	LEVER,PRESS.CONTROL	1							
13	1	194420-47370	KNOB, CONTROL LEVER	1							
14	1	198163-47370	LEVER,DIFF.CONTROL	1							
15	1	198431-47390	ARM,POSITION SET	2							
16	1	198431-47400	ARM,DRAFT SET	2							
17	1	198431-47420	BAR,POSITION CONTROL	1							
18	1	198431-47430	BAR,DRAFT CONTROL	1							
19	1	194180-47440	GASKET	2							
20	1	194208-47450	SHAFT, FEED BACK	2							
21	1	198431-47470	ARM,POS.FEEDBACK	1							
22	1	198431-47480	ARM,DRAFT FEEDBACK	1							
23	1	198435-47490	BASE,STOPF R	1							
24	1	198431-47520	ROD,DRAFT FEEDBACK	1							
25	1	194208-47530	ADJUSTER	2							
26	1	198435-47530	ARM, CONTROL	1							
27	1	198435-47540	ARM, CONTROL	1							
28	1	198435-47550	LINK, CONTROL	2							
29	1	198435-47560	PLATE	1							
30	1	198435-47580	PLATE B	1							
31	1	198162-47630	TUBE,PROTECTIVE	2							
32	1	194151-47760	WASHER 12	4							
33	1	194310-47790	PLATE, FRICTION	2							
34	1	198163-47800	ARM-FEEDBACK-ASSY	1							
35	2	194310-21210	BUSH 15X20X25	1							
36	1	194215-47840	SPRING, RETURN	1							
37	1	198431-47870	PLATE,FEEDBACK	1							
38	1	194550-47910	SPACER 15X28X2	1							
39	1	22137-080000	WASHER 8, POLISHED	1							
40	1	22137-080000	WASHER 8, POLISHED	2							
41	1	22137-080000	WASHER 8, POLISHED	2							
42	1	22137-080000	WASHER 8, POLISHED	1							
43	1	22137-080000	WASHER 8, POLISHED	1							
44	1	22137-120000	WASHER 12,POLISHED	1							
45	1	22272-000060	CIRCLIP E- 6	1							
46	1	22287-080000	LOCKING WASHER	2							
47	1	22287-080000	LOCKING WASHER	1							
48	1	22351-050025	SPRING PIN 5X25	1							
49	1	22351-050025	SPRING PIN 5X25	1							
50	1	22351-050025	SPRING PIN 5X25	2							
51	1	22372-080000	SNAP PIN (JASO 8)	2							

N:Old  $\begin{matrix} \text{Yes} \\ \text{No} \end{matrix}$  New, Q:Old  $\begin{matrix} \text{No} \\ \text{Yes} \end{matrix}$  New, R:Old  $\begin{matrix} \text{Yes} \\ \text{No} \end{matrix}$  New, S:Old  $\begin{matrix} \text{No} \\ \text{Yes} \end{matrix}$  New, W:Add, Z:Discontinued, F:Interchangeable by set, K:Q'ty Change

++ CONTINUE ++

(C)Copy Rights YANMAR CO.,LTD.

Fig.39. HYDRAULIC CONTROL

(A)=KE-60

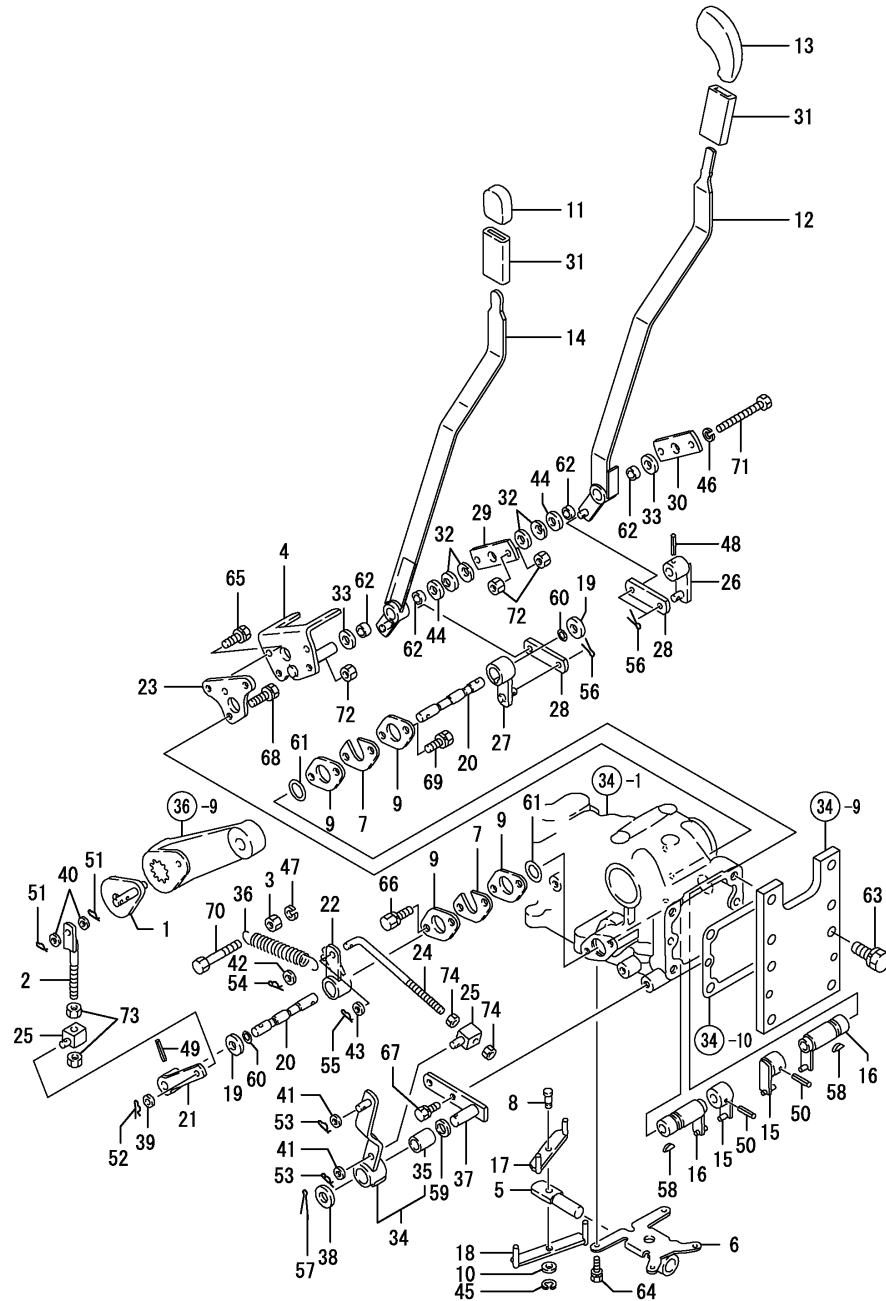
(B)=

(C)=

(D)=

(E)=

(F)=



REF.	LEV.	PARTS NO.	DESCRIPTION	QTY						I	R
				(A)	(B)	(C)	(D)	(E)	(F)		
52	1	22372-080000	SNAP PIN (JASO 8)	1							
53	1	22372-080000	SNAP PIN (JASO 8)	2							
54	1	22372-080000	SNAP PIN (JASO 8)	1							
55	1	22372-080000	SNAP PIN (JASO 8)	1							
56	1	22417-200160	COTTER PIN 2.0X16	4							
57	1	22417-250320	COTTER PIN 2.5X 32	1							
58	1	22522-030130	KEY, WOODRUFF 3X13	2							
59	1	23414-150000	PACKING -15	1							
60	1	24311-000090	O-RING 1A P-9.0	2							
61	1	24311-000200	O-RING 1A P-20.0	2							
62	1	24550-012060	BUSH 12X 6	4							
63	1	26013-120352	BOLT M12X 35	4							
64	1	26016-060162	BOLT M 6X 16	4							
65	1	26016-080122	BOLT M 8X 12	2							
66	1	26016-080202	BOLT M 8X 20	2							
67	1	26016-080202	BOLT M 8X 20	2							
68	1	26016-080202	BOLT M 8X 20	2							
69	1	26016-080202	BOLT M 8X 20	2							
70	1	26116-080552	BOLT 8X55	1							
71	1	26116-080804	BOLT M 8X 80 PLATED	2							
72	1	26716-080002	NUT M 8	6							
73	1	26716-080002	NUT M 8	2							
74	1	26716-080002	NUT M 8	2							

Fig.40. HYDRAULIC PIPING

(A)=KE-60

(B)=

(C)=

(D)=

(E)=

(F)=

REF.	LEV.	PARTS NO.	DESCRIPTION	QTY						I	R
				(A)	(B)	(C)	(D)	(E)	(F)		
1	1	198164-48160	PIPE,HIGH PRESS.F	1							
2	1	198163-48170	PIPE R,HIGH-PRESSURE	1							
3	1	198431-48220	PIPE F,LOW-PRESSURE	1							
4	1	198435-48231	PIPE R,LOW-PRESSURE	1							
5	1	198421-48240	HOSE,LOW-PRES.RUBBER	1							
6	1	194130-48650	BOLT 18, JOINT	1							
7	1	23010-030000	CLAMP 30	2							
8	1	23414-180023	GASKET 18	2							
9	1	24311-000200	O-RING 1A P-20.0	2							
10	1	24311-000220	O-RING 1A P-22.0	1							
11	1	26013-060322	BOLT M 6X 32	3							
12	1	26013-060402	BOLT M 6X 40	3							
13	1	26013-060452	BOLT M 6X 45	3							
14	1	26018-080162	BOLT M 8X 16	1							
15	1	26018-080202	BOLT M 8X 20	3							

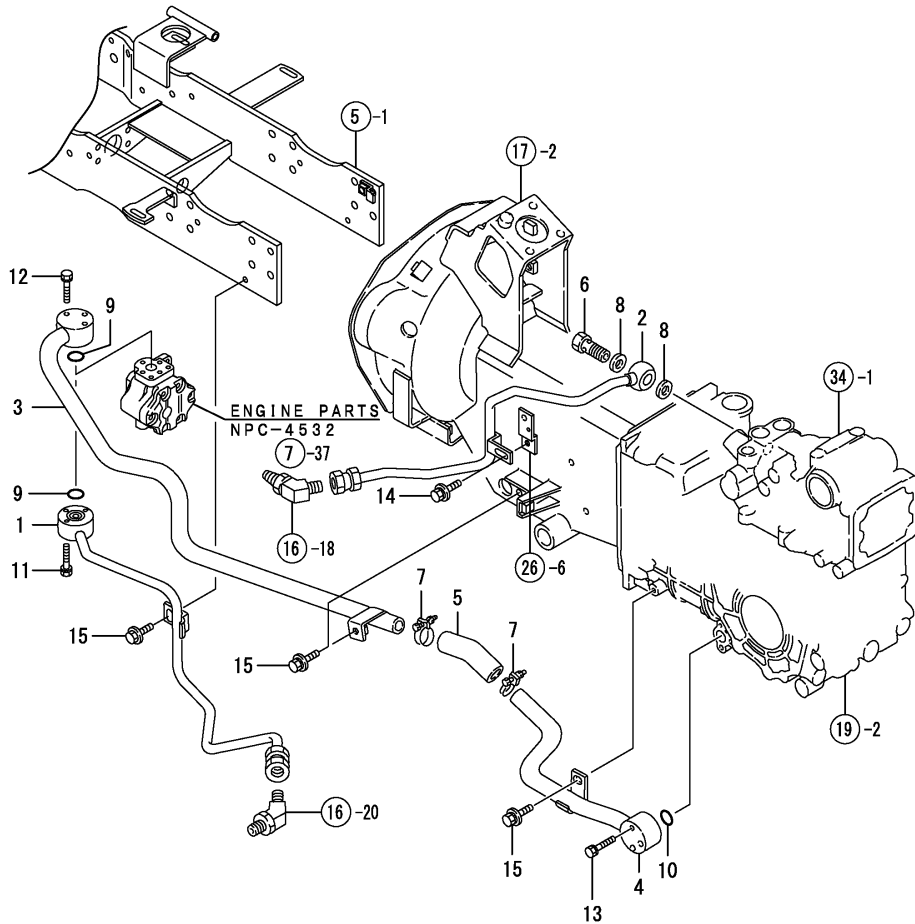
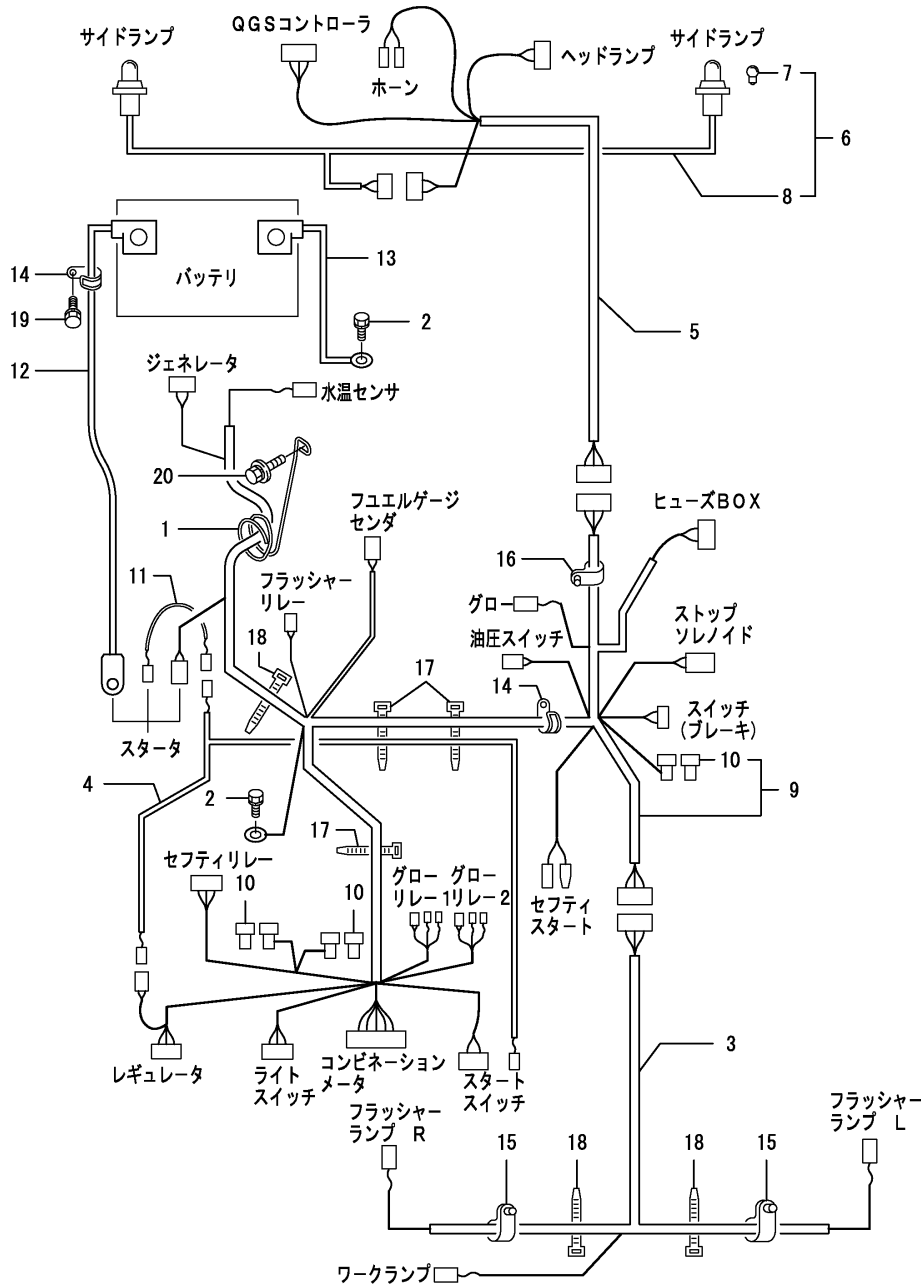


Fig.41. WIRE HARNESS



(A)=KE-60  
(B)=  
(C)=  
(D)=  
(E)=  
(F)=

REF.	LEV.	PARTS NO.	DESCRIPTION	Q'TY						I	R
				(A)	(B)	(C)	(D)	(E)	(F)		
1	1	1C6560-05450	CLAMP,HOSE	1							
2	1	1C6560-06300	BOLT M8X16,EARTH	2							
2-1	1	26106-080162	BOLT M 8X 16 PLATED	2							R
(A=*2008.11.)											
3	1	198162-51130	HARNESS 3,WIRE	1							
4	1	198162-51150	HARNESS P,WIRE	1							
5	1	198162-51170	HARNESS B,WIRE	1							
6	1	198425-51180	HARNESS (F)	1							
7	2	198425-51190	BULB 12V-10W,LIGHT	2							
8	2	198425-51200	LEAD COMPL.	1							
9	1	198164-51211	HARNESS A, WIRE	1							
10	2	119643-66900	DIODE	3							
11	1	194550-51220	LINK,FUSIBLE 0.85RED	1							
12	1	198162-51410	CABLE, BATTERY	1							
13	1	198162-51420	CABLE,BATTERY EARTH	1							
14	1	194440-51620	CLAMP, WIRE HARNESS	2							
15	1	194197-51630	CLAMP 51	3							
16	1	194250-51650	CLAMP 66	1							
17	1	194250-51660	BAND 250	3							
18	1	121750-59890	CLAMP 140	3							
19	1	26013-080122	BOLT M 8X 12	1							
20	1	26018-080202	BOLT M 8X 20	1							

Fig.42. BATTERY & SWITCHES

(A)=KE-60

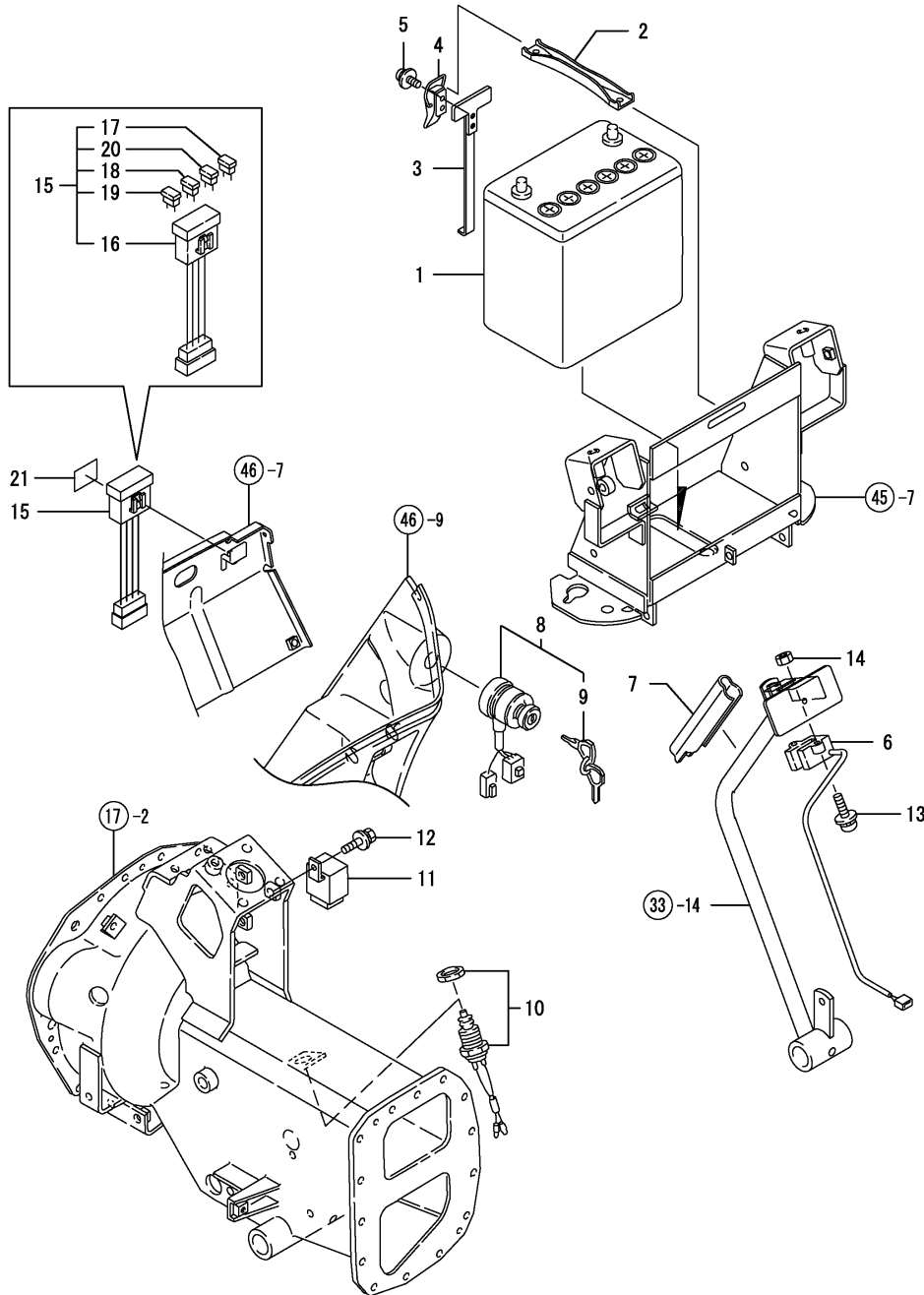
(B)=

(C)=

(D)=

(E)=

(F)=



REF.	LEV.	PARTS NO.	DESCRIPTION	QTY						I	R
				(A)	(B)	(C)	(D)	(E)	(F)		
1	1	198164-51500	BATTERY	1							
2	1	198162-58110	CLAMP, BATTERY	1							
3	1	198162-58140	ROD, BATTERY CLAMP	1							
4	1	1E6210-82580	FASTENER	1							
5	1	26023-050122	SCREW M 5X 12	2							
6	1	1C6900-07200	SWITCH, COUPLING	1							
7	1	198164-51310	COVER, HARNESS	1							
8	1	198162-52110	SWITCH, STARTING	1							
9	2	198162-52150	KEY ASSY	1							
10	1	198421-52190	SWITCH, SAFETY	1							
11	1	119247-77100	RELAY, SAFETY	1							
12	1	26018-060162	BOLT M6X16	1							
13	1	26023-050202	SCREW M 5X 20	2							
14	1	26716-050002	NUT, M5	2							
15	1	198162-52410	FUSE BOX	1							
16	2	198162-52420	HOLDER, FUSE	1							
17	2	29420-050000	FUSE, 5A	1							
18	2	29420-100000	FUSE, 10A	1							
19	2	29420-150000	FUSE, 15A	1							
20	2	29420-200000	FUSE, 20A	1							
21	1	198162-65890	LABEL, FUSE	1							



Fig.43. LAMPS & HORN

(A)=KE-60  
(B)=  
(C)=

(D)=  
(E)=  
(F)=

REF.	LEV.	PARTS NO.	DESCRIPTION	Q'TY						I	R
				(A)	(B)	(C)	(D)	(E)	(F)		
1	1	194990-22130	NUT W/WASHER 6	5							
2	1	198162-53100	HEAD LAMP CMP	1							
3	2	198425-53110	BULB 12V 25W	2							
4	1	198425-53150	LAMP, FLASHER	2							
5	2	198425-53160	BODY COMPL.	2							
6	2	194200-53400	BULB, 12V-20W	2							
7	2	198511-53430	LENS	4							
8	2	198511-53450	GASKET	2							
9	1	22222-100000	WASHER, SPRING 10	2							
10	1	26776-100002	LOCK NUT M10 PLATED	2							
11	1	1C7100-08150	HORN,ELECTRIC	1							
12	1	1C6820-42520	COLLAR 6X10X46	2							
13	1	26018-060602	BOLT W/WASHER 6* 60	2							

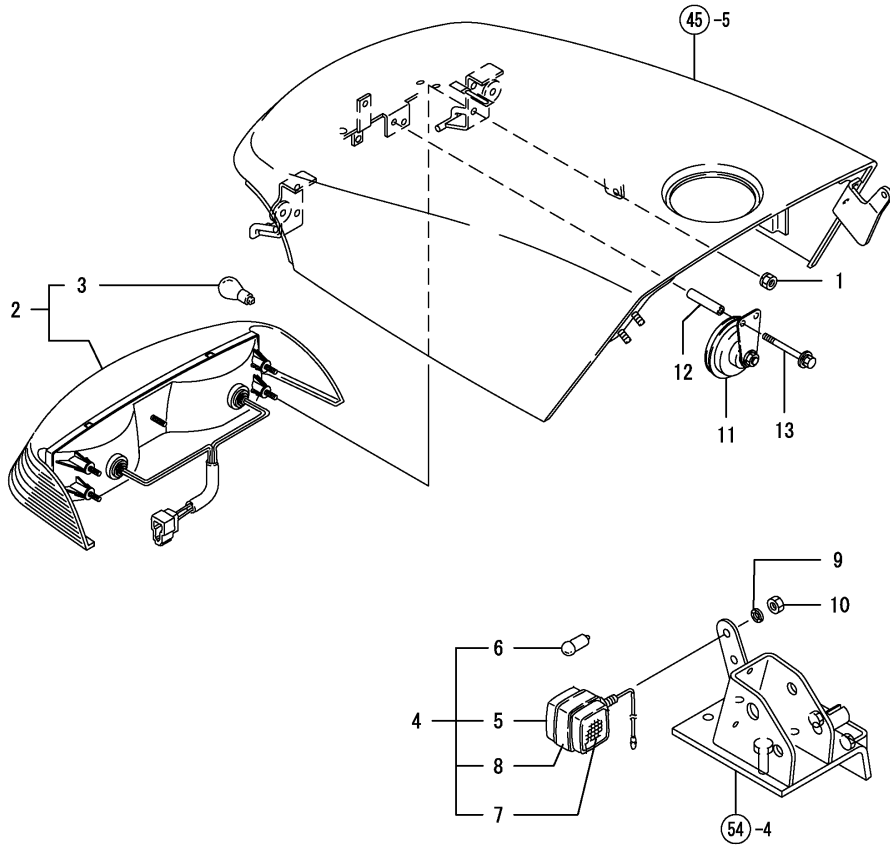


Fig.44. METER

(A)=KE-60

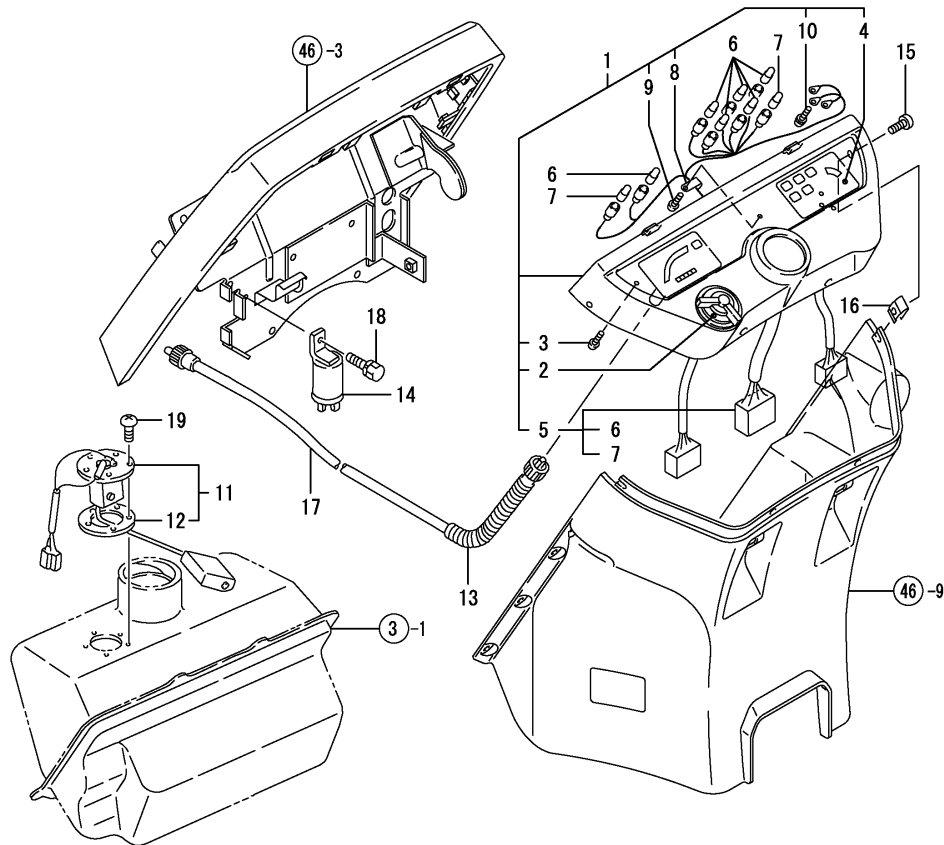
(B)=

(C)=

(D)=

(E)=

(F)=



REF.	LEV.	PARTS NO.	DESCRIPTION	QTY						I	R
				(A)	(B)	(C)	(D)	(E)	(F)		
1	1	198164-56600	PANEL ASSY, INSTRC.	1							
2	2	1W3852-00940	SWITCH	1							
3	2	1C6460-36151	SCREW 4X16,PLASTICS	8							
4	2	198164-56120	FUEL METER ASSY	1							
5	2	198164-56140	CORD ASSY	1							
6	3	194555-55820	BULB 12V-1.7W	6							
7	3	198421-56150	VALVE	2							
8	2	198421-56190	CLAMP	1							
9	2	198421-56200	SCREW M4X10	1							
10	2	26022-030222	SCREW 3X22 W/SW	3							
11	1	198421-56601	GAUGE ASSY, FUEL OIL	1							
12	2	194420-56620	GASKET	1							
13	1	198421-56910	TUBE,PROTECTIVE	1							
14	1	194555-57200	RELAY	1							
15	1	194145-61640	SCREW M 5X 16	4							
16	1	194167-61650	NUT 5008	4							
17	1	123440-91140	CABLE,TACHOMETER	1							
18	1	26016-060122	BOLT M 6X 12	1							
19	1	26557-050122	SCREW, M5X12	5							

Fig.45. HOOD

(A)=KE-60

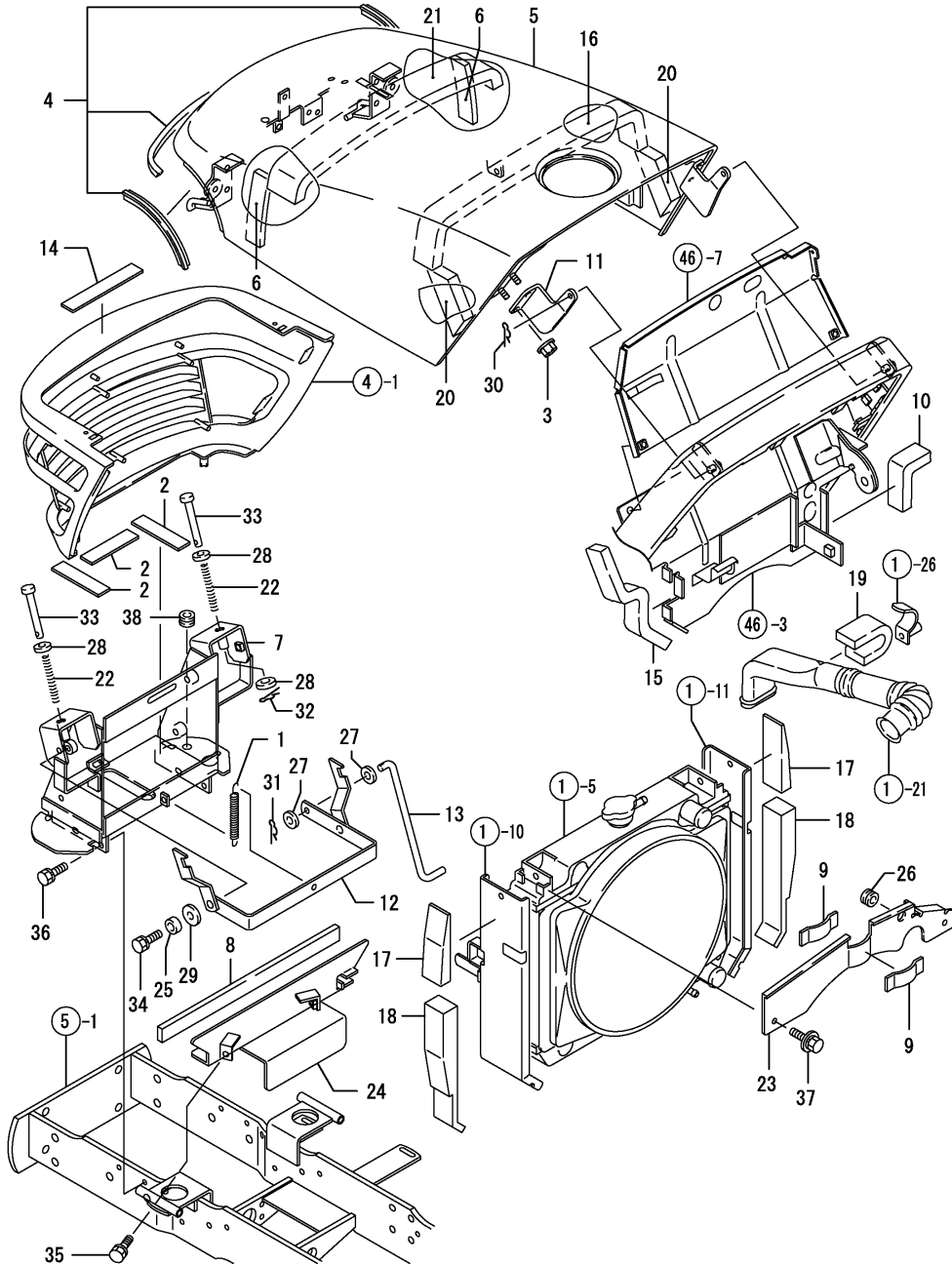
(B)=

(C)=

(D)=

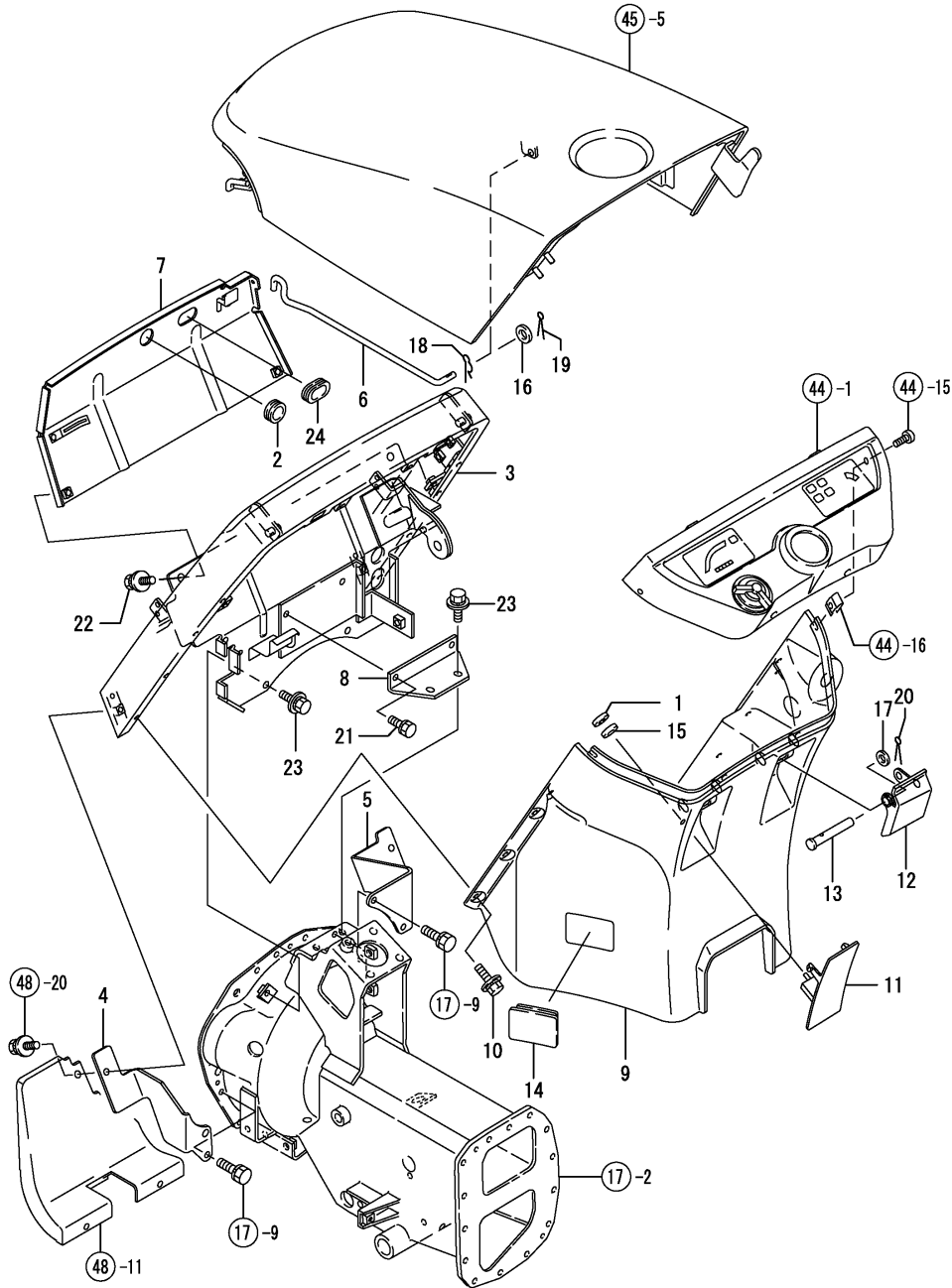
(E)=

(F)=



REF.	LEV.	PARTS NO.	DESCRIPTION	QTY						I	R
				(A)	(B)	(C)	(D)	(E)	(F)		
1	1	194200-01680	SPRING	1							
2	1	198165-04380	RUBBER, 100X25X3	3							
3	1	194990-22130	NUT W/WASHER 6	2							
4	1	1A7720-53200	SEAL KIT, HEAD LAMP	1							
5	1	198164-61100	BONNET(M ASSY	1							
6	1	198162-61250	SEAL SA,BONNET	2							
7	1	198162-61310	STAY, BONNET	1							
8	1	198162-61340	SEAL,RADIATOR LOWER	1							
9	1	198162-61370	SEAL E,LADIATOR	2							
10	1	198421-61380	URETHANE CS20X25X200	1							
11	1	198162-61410	HINGE L,BONNET	1							
12	1	198162-61430	HOOK,BONNET	1							
13	1	198162-61440	LINK,HOOK	1							
14	1	198162-61460	SEAL,BONNET FRONT	1							
15	1	198421-61460	FOAMS S,URETHANE	1							
16	1	198421-61470	FOAMS,BONNET URETHAN	1							
17	1	198162-61480	FOAM,RAD.IN.URETHANE	2							
18	1	198162-61490	FOAM,RAD.LW.URETHANE	2							
19	1	198421-61510	FOAM,SUC.PIPE URETHN	1							
20	1	198421-61540	PAD, REAR	2							
21	1	198165-61810	SEAL,BONNET UPPER	1							
22	1	198165-61850	SPRING, BONNET	2							
23	1	198162-61910	PLATE, PROTECTOR UP	1							
24	1	198162-61930	PLATE, LOWER	1							
25	1	1C6560-75311	COLLAR 8.8X12X8	2							
26	1	172026-81740	GROMMET 16X22X8	1							
27	1	22137-080000	WASHER 8, POLISHED	2							
28	1	22157-060000	WASHER 6	4							
29	1	22157-080000	WASHER 8	2							
30	1	22360-080000	SNAP PIN 8	1							
31	1	22360-080000	SNAP PIN 8	1							
32	1	22372-060000	SNAP PIN 6	2							
33	1	22487-060800	PIN, H6X80	2							
34	1	26013-080202	BOLT W/WASHER M8X20	2							
35	1	26016-080202	BOLT M 8X 20	2							
36	1	26016-080202	BOLT M 8X 20	4							
37	1	26018-080202	BOLT M 8X 20	2							
38	1	29311-092000	GROMMET 8.5X2.0	1							

Fig.46. DASH BOARD



(A)=KE-60

(B)=

(C)=

(D)=

(E)=

(F)=

REF.	LEV.	PARTS NO.	DESCRIPTION	QTY						I	R
				(A)	(B)	(C)	(D)	(E)	(F)		
1	1	1C6460-38240	NUT 5,PUSH	1							
2	1	194162-58830	GROMMET 20	1							
3	1	798163-61540	STAY, DASHBOARD	1							
4	1	198162-61530	FIXTURE L,DSHBD.STAY	1							
5	1	198162-61540	FIXTURE R,DSHBD.STAY	1							
6	1	198162-61551	ROD, BONNET	1							
7	1	198162-61570	PLATE, AIR CUT	1							
8	1	198164-61580	STAY, AIR CUT PLATE	1							
9	1	198162-61611	DASH BOARD	1							
10	1	198421-61620	BOLT 6X20	8							
11	1	198162-61630	DASH BOAD	1							
12	1	198162-61661	LEVER,P.BRAKE	1							
13	1	198162-61670	PIN	1							
14	1	194802-62310	CAP, RUBBER	1							
15	1	194555-65130	CUSHION	1							
16	1	22117-080000	WASHER 8	1							
17	1	22137-120000	WASHER 12,POLISHED	1							
18	1	22360-080000	SNAP PIN 8	1							
19	1	22417-200160	COTTER PIN 2.0X16	1							
20	1	22417-200320	COTTER PIN 2.0X32	1							
21	1	26016-080202	BOLT M 8X 20	2							
22	1	26018-080162	BOLT M 8X 16	2							
23	1	26018-080202	BOLT M 8X 20	4							
24	1	29311-252000	GROMMET 25.0X2.0	1							

Fig.47. FENDER

(A)=KE-60

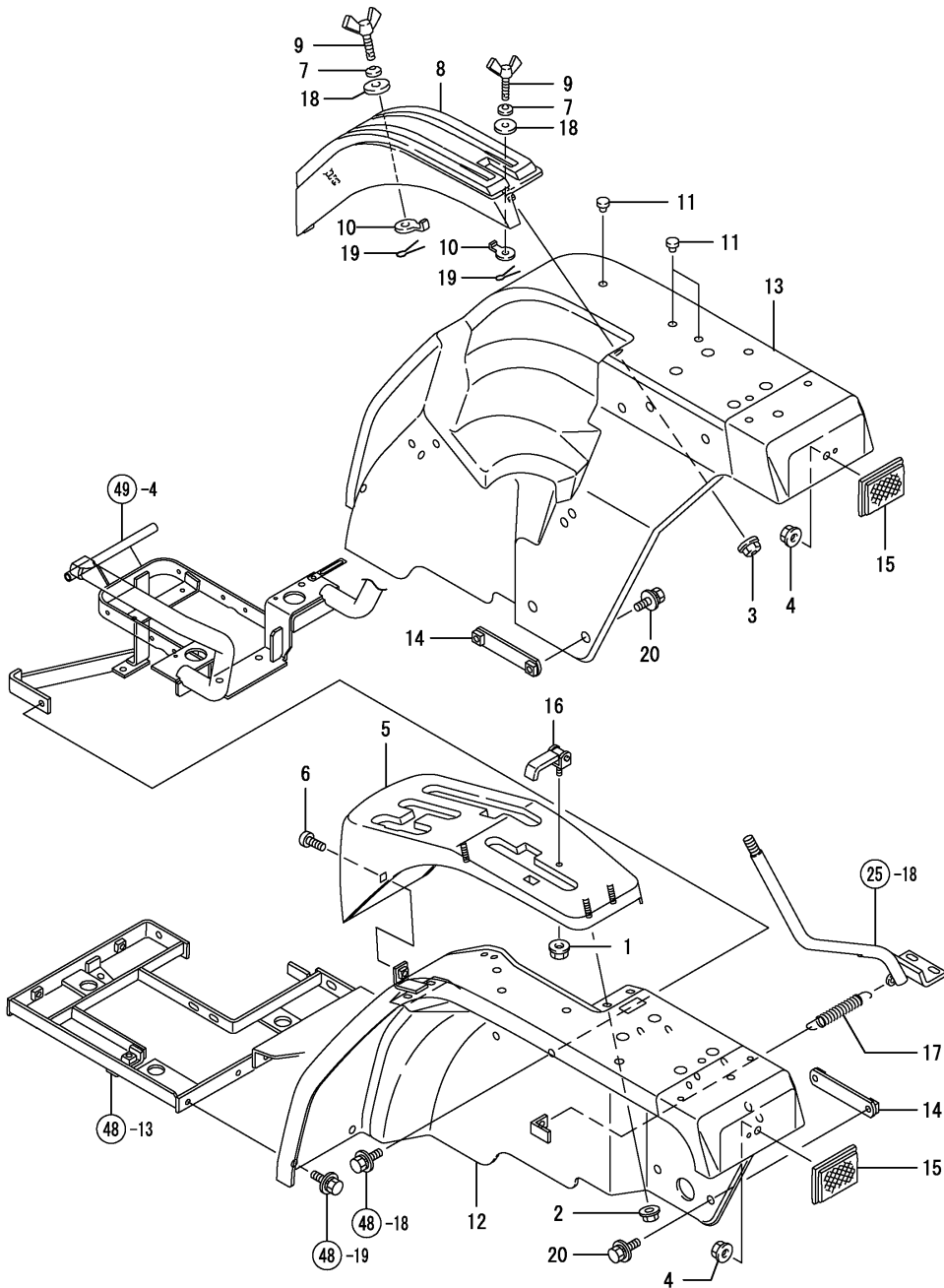
(B)=

(C)=

(D)=

(E)=

(F)=



REF.	LEV.	PARTS NO.	DESCRIPTION	QTY						I	R
				(A)	(B)	(C)	(D)	(E)	(F)		
1	1	194990-22130	NUT W/WASHER 6	1							
2	1	194990-22130	NUT W/WASHER 6	3							
3	1	194990-22130	NUT W/WASHER 6	2							
4	1	194990-22130	NUT W/WASHER 6	2							
5	1	198163-27480	GUIDE B,CHANGE LEVER	1							
6	1	1C6650-35150	SCREW M6X16,BLK.M/C	1							
7	1	194300-37570	SPRING, CONICAL	2							
8	1	198435-47710	GUIDE, HYDRO. LEVER	1							
9	1	198431-47750	BOLT, STOPPER WING	2							
10	1	198431-47760	STOPPER, HYDRO. LEVER	2							
11	1	194310-61610	GROMMET 9	3							
12	1	198163-62110	FENDER (L)	1							
13	1	1A7740-62100	FENDER M ASSY, R	1							
14	1	198162-62210	CLAMP, FENDER	2							
15	1	1A6750-62300	REFLECTOR	2							
16	1	198164-62330	STOPPER ASSY, PTO	1							
17	1	198421-62410	SPRING 12X100,TENSN	1							
18	1	22157-080000	WASHER 8	2							
19	1	22417-200160	COTTER PIN 2.0X16	2							
20	1	26018-080252	BOLT M8X 25	4							

Fig.48. STEP

(A)=KE-60

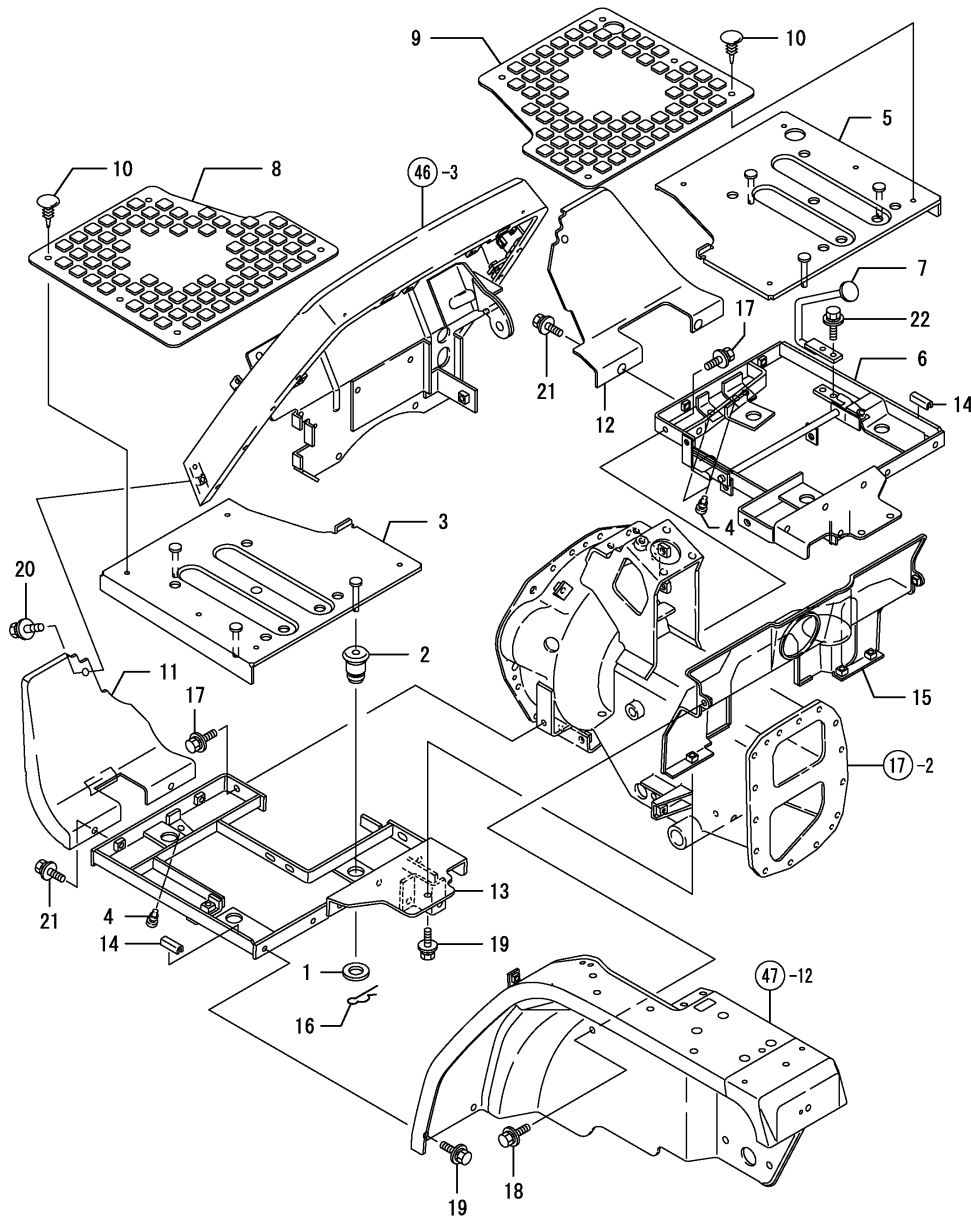
(B)=

(C)=

(D)=

(E)=

(F)=



REF.	LEV.	PARTS NO.	DESCRIPTION	QTY						I	R
				(A)	(B)	(C)	(D)	(E)	(F)		
1	1	198220-62150	WASHER	6							
2	1	198240-62451	RUBBER,STEP VIBPRF.	6							
3	1	198162-62510	STEP (L)	1							
4	1	194330-62530	STOPPER, PEDAL	3							
5	1	198162-62560	STEP (R)	1							
6	1	198162-62580	FRAME R,STEP	1							
7	1	198162-62590	ACCEL PEDAL	1							
8	1	198162-62610	RUBBER L,STEP	1							
9	1	198162-62620	RUBBER R,STEP	1							
10	1	198162-62630	FASTENER	10							
11	1	198162-62650	COVER L,FOOT	1							
12	1	798163-62670	COVER, FOOT R	1							
13	1	198163-62700	FRAME,STEP	1							
14	1	198220-62890	STOPPER	8							
15	1	198162-62950	COVER,TRANSM.FRONT	1							
16	1	22372-080000	SNAP PIN (JASO 8)	6							
17	1	26018-080202	BOLT M 8X 20	4							
18	1	26018-080202	BOLT M 8X 20	5							
19	1	26018-080202	BOLT M 8X 20	4							
20	1	26018-080202	BOLT M 8X 20	2							
21	1	26018-080202	BOLT M 8X 20	4							
22	1	26018-080202	BOLT M 8X 20	2							

Fig.49. OPERATOR SEAT

(A)=KE-60

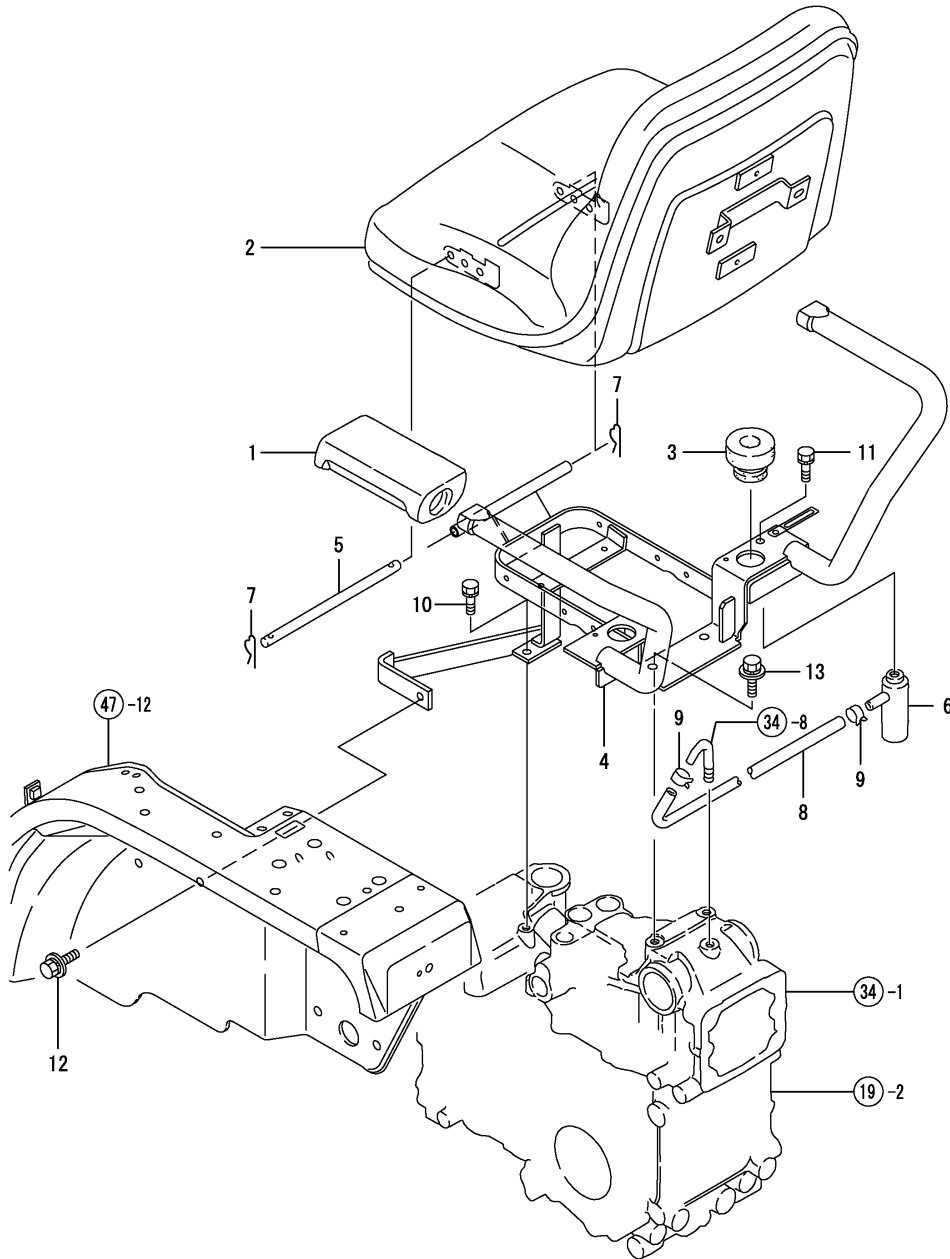
(B)=

(C)=

(D)=

(E)=

(F)=



REF.	LEV.	PARTS NO.	DESCRIPTION	QTY						I	R
				(A)	(B)	(C)	(D)	(E)	(F)		
1	1	198435-62410	ASSIST BAR GRIP	2							
2	1	198162-63010	SEAT ASSY, OPERATOR	1							
3	1	198421-63140	RUBBER,CUSHION	2							
4	1	198163-63212	SEAT ASSY, BRACKET	1							
5	1	198425-63270	PIN 8X190	1							
6	1	194205-63550	BREATHER, AIR	1							
7	1	22372-080000	SNAP PIN (JASO 8)	2							
8	1	23065-090210	PIPE 9,VINYL	1							
9	1	23080-012000	CLAMP 12	2							
10	1	26013-080202	BOLT W/WASHER M8X20	1							
11	1	26018-080162	BOLT M 8X 16	1							
12	1	26018-080202	BOLT M 8X 20	2							
13	1	26018-080252	BOLT M8X 25	2							

Fig.50. BACK MIRROR

0CNP4-G53100 50. BACK MIRROR

(A)=KE-60  
(B)=  
(C)=

(D)=  
(E)=  
(F)=

REF.	LEV.	PARTS NO.	DESCRIPTION	Q'TY						I	R
				(A)	(B)	(C)	(D)	(E)	(F)		
1	1	198425-64101	MIRROR	1							
2	1	198421-64150	BOLT 8X20	2							

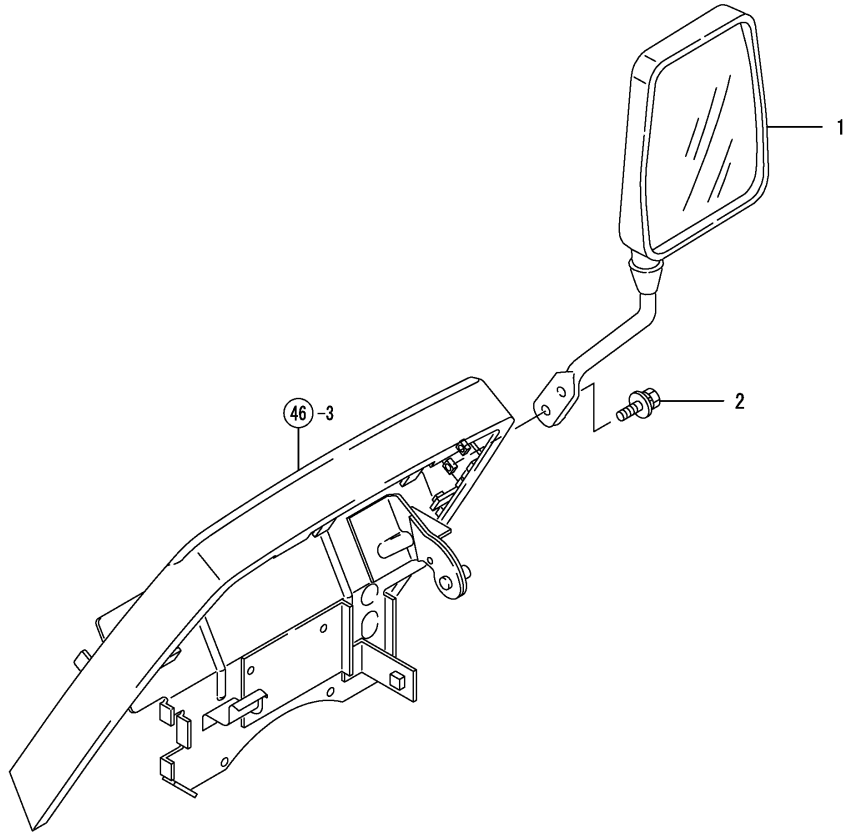
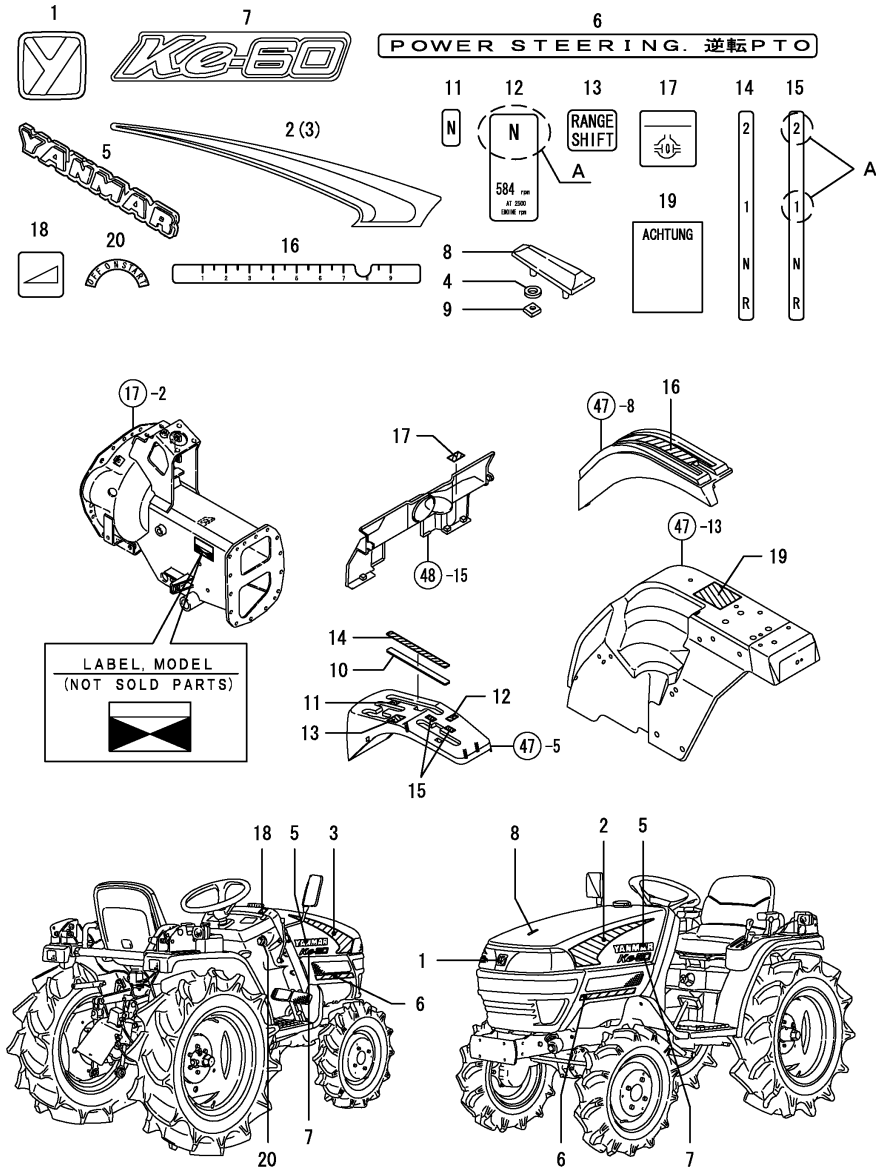




Fig.51. LABELS



(A)=KE-60

(B)=

(C)=

(D)=

(E)=

(F)=

REF.	LEV.	PARTS NO.	DESCRIPTION	QTY						I	R
				(A)	(B)	(C)	(D)	(E)	(F)		
1	1	198421-65030	MARK 50, YANMAR	1							
2	1	198162-65110	STRIPE L, SIDE	1							
3	1	198162-65120	STRIPE R, SIDE	1							
4	1	194555-65130	CUSHION	2							
5	1	194766-65170	MARK(YANMAR 280	2							
6	1	198164-65190	LABEL, STEERING	2							
7	1	198164-65220	LABEL, MODEL NAME	2							
8	1	1A6750-65590	MARK, TOP	1							
9	1	194200-65610	NUT 5	2							
10	1	198163-27420	PLATE, GUIDE	1							
11	1	198435-65220	LABEL, N	1							
12	1	198435-65230	LABEL, P.T.O.	1							1
13	1	198435-65240	LABEL, SUB-CHANGE	1							
14	1	198163-65270	LABEL, MAIN CHANGE	1							
15	1	198163-65270	LABEL, MAIN CHANGE	1							1
16	1	198036-65420	LABEL, HYDROOLIFT	1							
17	1	194240-65441	LABEL, DIFF. LOCK	1							
18	1	1A6640-65530	LABEL, THROTTLE	1							
19	1	1A6770-65630	LABEL (PINCH CLEARE.)	1							
20	1	198010-65720	LABEL	1							

Remarks

(1) USE CUTTING THE A SECTION

N:Old  $\xrightarrow{\text{Yes}}$  New, Q:Old  $\xrightarrow{\text{No}}$  New, R:Old  $\xrightarrow{\text{Yes}}$  New, S:Old  $\xrightarrow{\text{No}}$  New, W:Add, Z:Discontinued, F:Interchangeable by set, K:Q'ty Change

Fig.52. LABELS(SAFETY)

(A)=KE-60

(B)=

(C)=

(D)=

(E)=

(F)=

REF.	LEV.	PARTS NO.	DESCRIPTION	QTY						I	R
				(A)	(B)	(C)	(D)	(E)	(F)		
1	1	198163-65310	LABEL, SAFETY	1							
2	1	198163-65780	LABEL,BRAKE COUPLING	1							
3	1	198163-65930	CAUTION,MUFFLER	1							
4	1	198163-65940	CAUTION,SAFETY COVER	2							
5	1	1A6150-91251	LABEL,RAKE CAUTION	1							
6	1	1A6150-93151	LABEL,COVER	1							

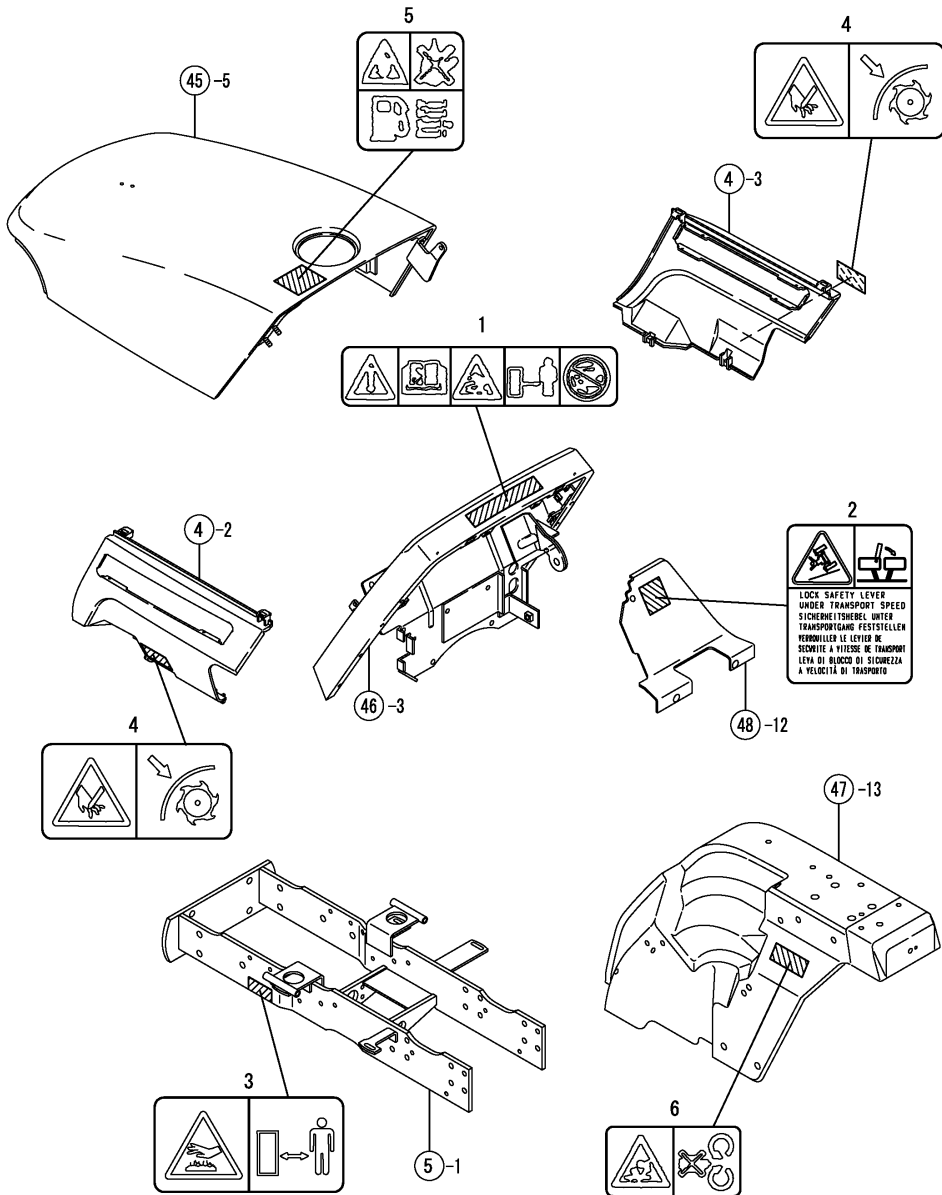


Fig.53. BALANCE WEIGHT

(A)=KE-60  
(B)=  
(C)=

(D)=  
(E)=  
(F)=

REF.	LEV.	PARTS NO.	DESCRIPTION	Q'TY						I	R
				(A)	(B)	(C)	(D)	(E)	(F)		
1	1	198164-81411	WEIGHT, BALANCE	1							
2	1	26013-120302	BOLT W/WASHER M12X30	4							

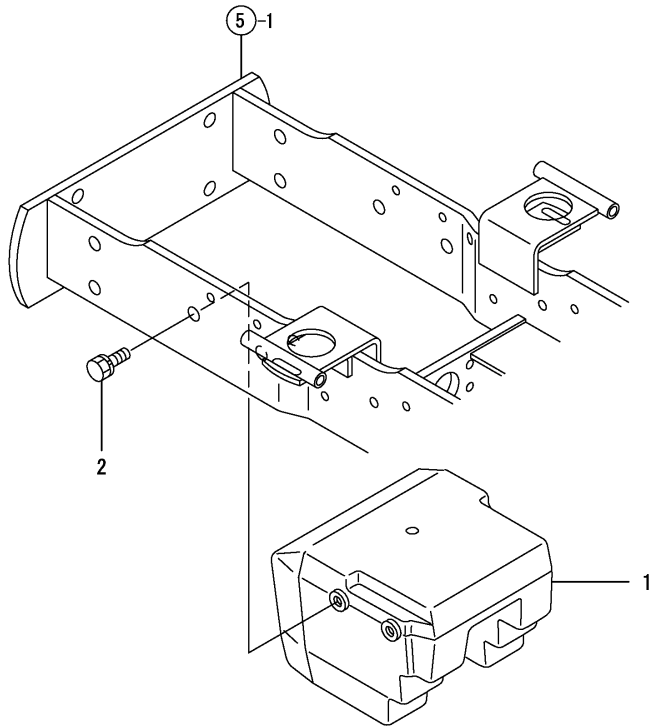


Fig.54. JOINT FRAME & LOWER FRAME

(A)=KE-60

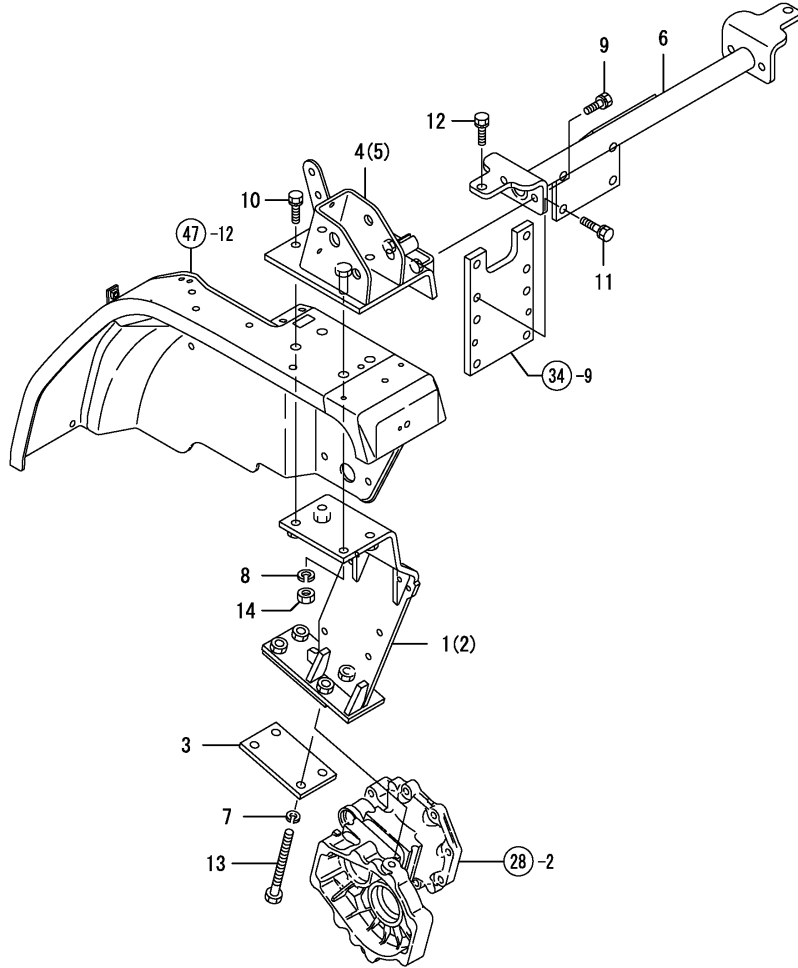
(B)=

(C)=

(D)=

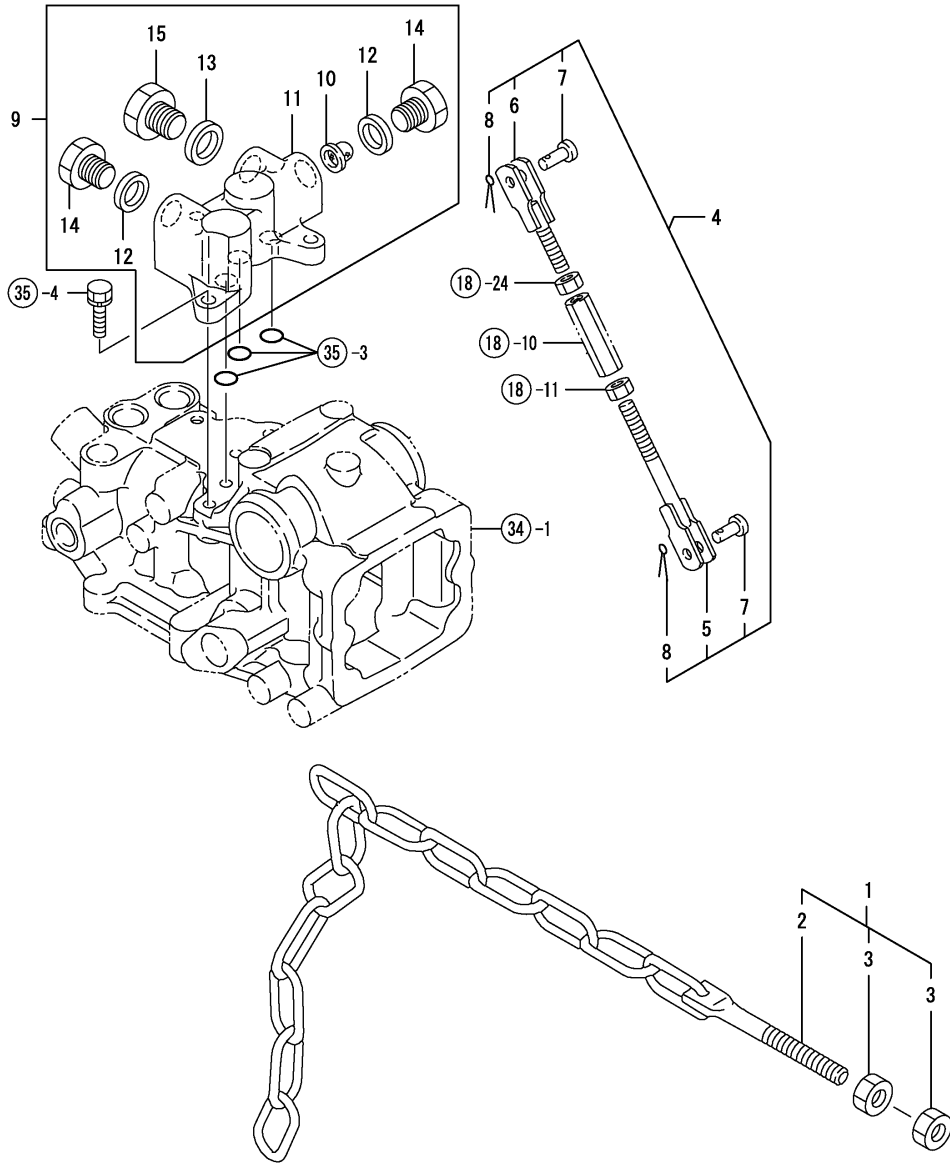
(E)=

(F)=



REF.	LEV.	PARTS NO.	DESCRIPTION	QTY						I	R
				(A)	(B)	(C)	(D)	(E)	(F)		
1	1	198163-85301	FRAME CL COMP.,LOWER	1							
2	1	198163-85351	FRAME CR COMP.,LOWER	1							
3	1	198162-85360	PLATE L,ROPS LOWER	2							
4	1	198162-85500	STAY ASSY, UPPER L	1							
5	1	198162-85550	STAY ASSY, UPPER R	1							
6	1	198163-85701	FRAME,JOINT	1							
7	1	22217-120000	SPRING WASHER 12	8							
8	1	22217-120000	SPRING WASHER 12	2							
9	1	26013-100302	BOLT M10X 30	2							
10	1	26013-120352	BOLT M12X 35	4							
11	1	26013-120352	BOLT M12X 35	4							
12	1	26013-120452	BOLT M12X 45	2							
13	1	26116-121302	BOLT M12X130 PLATED	8							
14	1	26717-120002	NUT M12	2							

Fig.55. OPTION



(A)=KE-60  
(B)=  
(C)=

(D)=  
(E)=  
(F)=

REF.	LEV.	PARTS NO.	DESCRIPTION	QTY						I	R
				(A)	(B)	(C)	(D)	(E)	(F)		
1	1	795450-27900	CHAIN ASSY.,FIXED	1							
2	2	195450-27950	HOOK,ROTOR FIX CHAIN	1							
3	2	26716-120002	NUT 12	2							
4	1	198425-22500	ROD KIT,CLUTCH	1							
5	2	198425-22450	ROD L COMP.,CLUTCH	1							
6	2	198425-22480	ROD R COMP.,CLUTCH	1							
7	2	198425-22510	PIN 7X16,FLUSH HEAD	2							
8	2	22417-200200	COTTER PIN 2.0X20	2							
9	1	198421-42200	COVER CMP,EXT.TAKOUT	1							
10	2	194556-42220	STRAINER A	1							
11	2	198421-42220	COVER,EXT.TAKE-OUT	1							
12	2	23414-180023	GASKET 18	2							
13	2	23414-200026	GASKET 20	1							
14	2	23887-180002	PLUG 18	2							
15	2	23887-200002	PLUG 20, HEX.	1							

## **Part Number Index**

All parts are stipulated in the order of part numbers.

(Depending on the area in which the part is used.)

This index will display the location of the part according to each part number.

## PARTS No. INDEX

PARTS No.	Fig.	Ref.No.
101504-55051	3	6
101504-55101	3	7
102103-55520	1	33
104200-55321	1	36
104200-55330	1	37
104200-55750	1	42
104500-55710	1	44
105015-55040	3	5
110250-55610	1	34
119247-77100	42	11
119462-44550	1	8
119462-55620	1	31
119626-55690	1	35
119629-49070	1	16
119629-49080	1	17
119643-66900	41	10
119650-13620	1	2
		4
119650-77902	1	47
119650-77910	1	48
119650-77930	1	49
119810-55340	1	38
119865-55660	1	39
121250-44590	1	9
121454-44590	1	29
121750-59890	41	18
123440-91140	44	17
124064-55510	1	32
124160-77020	1	46
129107-44590	1	7
129150-49080	1	15
129155-55740	1	41
171125-55730	1	40
172026-81740	45	26
172520-76210	16	3
194080-37781	33	19
194130-48650	40	6
194145-61640	44	15
194150-01190	2	7
194150-01270	2	9
194150-01370	2	10
194150-45320	38	22
194151-36670	13	7
	17	4
194151-42832	34	10
194151-47760	2	11
	39	32
194162-58830	46	2
194167-61650	44	16
194170-45220	37	4

PARTS No.	Fig.	Ref.No.
194170-45230	37	6
194170-45321	37	7
194170-45350	37	9
194170-45360	37	10
194170-45370	37	11
194170-45430	37	12
194170-45440	37	13
194170-45550	37	16
194170-45560	37	17
194180-46320	38	13
194180-47440	39	19
194190-34730	14	5
		10
	31	4
		8
194191-28540	23	14
194195-45620	38	3
194195-45640	38	5
194195-45650	38	6
194195-46260	38	8
194197-27681	24	16
194197-44610	36	10
194197-51630	41	15
194200-01680	45	1
194200-11570	9	5
194200-34750	30	9
194200-53400	43	6
194200-65610	51	9
194201-11230	17	1
	19	1
194205-42280	34	8
194205-63550	49	6
194208-47450	39	20
194208-47510	39	2
194208-47530	39	25
194215-04220	3	8
194215-04430	3	15
194215-11540	5	6
194215-12340	16	1
194215-12341	6	2
		6
194215-21701	17	14
194215-22190	18	4
194215-22210	17	18
194215-22220	17	19
194215-22230	17	20
194215-24970	19	31
194215-47840	39	36
194240-65441	51	17
194250-51650	41	16

PARTS No.	Fig.	Ref.No.
194250-51660	41	17
194300-04440	3	16
194300-13340	6	3
		7
194300-21460	17	3
194300-22160	18	3
194300-22240	17	21
194300-22910	18	5
194300-31560	27	7
194300-31570	27	8
194300-31620	27	9
194300-37570	33	12
	47	7
194301-11340	5	3
194301-11350	5	4
194305-24310	20	1
194305-25160	21	3
194306-13140	21	1
	22	1
	23	20
194310-21210	39	35
194310-25100	17	22
	23	1
194310-46350	34	12
194310-46380	34	13
194310-46730	34	14
194310-47790	39	33
194310-61610	47	11
194312-46630	38	15
194312-46750	19	6
	34	15
194314-11880	13	1
194314-12720	13	2
194330-62530	48	4
194420-27810	26	14
194420-47370	39	13
194420-56620	44	12
194420-62260	3	9
194440-51620	41	14
194447-13490	9	6
194447-13640	30	6
194447-13650	28	1
194447-13860	7	3
194515-25180	23	3
194516-13770	10	7
194516-13780	10	8
194550-47910	39	38
194550-51220	41	11
194555-46640	38	16
194555-47340	39	7

PARTS No.	Fig.	Ref.No.
194555-47350	39	9
194555-55820	44	6
194555-57200	44	14
194555-65130	4	16
	46	15
	51	4
194555-77910	19	7
194556-42220	55	10
194630-43230	34	11
194640-46410	38	26
194640-46420	38	27
194640-46620	38	14
194670-25370	11	5
194740-00322	18	10
	33	1
194766-65170	51	5
194802-62310	46	14
194850-42180	34	6
194850-42190	34	7
194850-45330	37	8
194850-45700	38	7
194850-49230	38	9
194855-24150	23	22
194855-25290	20	7
194856-25330	21	12
	22	2
194856-25340	21	13
194859-34150	20	8
194940-04240	3	2
194940-04250	3	3
194940-45520	37	15
194940-45540	37	2
194990-20170	18	11
	33	4
194990-22050	1	28
	24	1
	26	1
194990-22130	43	1
	45	3
	47	1
		2
		3
		4
194990-22140	25	1
195450-27950	55	2
198010-65720	51	20
198036-65420	51	16
198071-37510	18	18
	33	9
198133-22510	18	16

## PARTS No. INDEX

PARTS No.	Fig.	Ref.No.
198133-22510	33	5
198133-22530	18	17
	33	6
198162-00510	1	1
198162-00520	1	3
198162-00640	1	12
198162-00660	1	18
198162-00670	1	19
198162-00710	1	22
198162-00770	1	25
198162-00860	1	6
198162-01210	2	20
198162-04111	3	1
198162-05350	4	1
198162-05381	4	4
198162-05391	4	5
198162-05410	4	6
198162-05420	4	7
198162-05430	4	8
198162-05440	4	9
198162-05462	4	10
198162-05470	4	11
198162-05480	4	12
198162-05491	4	13
198162-11510	5	5
198162-13350	8	1
198162-22410	18	12
198162-26130	23	6
198162-33130	29	3
198162-36380	32	4
		8
198162-37302	33	8
198162-37641	33	13
198162-37670	33	15
198162-37681	33	16
198162-42810	34	9
198162-47630	39	31
198162-51130	41	3
198162-51150	41	4
198162-51170	41	5
198162-51410	41	12
198162-51420	41	13
198162-52110	42	8
198162-52150	42	9
198162-52410	42	15
198162-52420	42	16
198162-53100	43	2
198162-58110	42	2
198162-58140	42	3
198162-58800	1	45

PARTS No.	Fig.	Ref.No.
198162-61250	45	6
198162-61310	45	7
198162-61340	45	8
198162-61370	45	9
198162-61410	45	11
198162-61430	45	12
198162-61440	45	13
198162-61460	45	14
198162-61480	45	17
198162-61490	45	18
198162-61530	46	4
198162-61540	46	5
198162-61551	46	6
198162-61570	46	7
198162-61611	46	9
198162-61630	46	11
198162-61661	33	22
	46	12
198162-61670	33	23
	46	13
198162-61910	45	23
198162-61930	45	24
198162-62210	47	14
198162-62510	48	3
198162-62560	48	5
198162-62580	48	6
198162-62590	48	7
198162-62610	48	8
198162-62620	48	9
198162-62630	48	10
198162-62650	48	11
198162-62950	48	15
198162-63010	49	2
198162-65110	51	2
198162-65120	51	3
198162-65890	42	21
198162-85360	54	3
198162-85500	54	4
198162-85550	54	5
198163-00770	1	26
198163-00850	2	1
198163-17752	16	9
198163-17760	16	10
198163-17771	16	11
198163-17870	16	23
198163-21100	17	2
198163-24321	19	24
198163-25111	20	2
198163-25120	20	3
198163-25131	20	4

PARTS No.	Fig.	Ref.No.
198163-25210	21	4
198163-25221	21	5
198163-25250	21	8
198163-25280	20	6
198163-25740	22	5
198163-25750	22	6
198163-25770	22	7
198163-26112	23	4
198163-26121	23	5
198163-26153	23	7
198163-26162	23	8
198163-26180	23	9
198163-26190	23	10
198163-26212	23	11
198163-26230	23	23
198163-26240	23	12
198163-26410	23	13
198163-27120	25	4
198163-27130	25	5
198163-27200	24	3
198163-27270	25	18
198163-27420	51	10
198163-27480	47	5
198163-27510	24	7
198163-27520	24	8
198163-27531	24	10
198163-27540	24	11
	26	4
198163-27560	24	13
	26	5
198163-27572	24	14
198163-27630	24	15
198163-27711	26	7
198163-27720	26	8
198163-27730	26	9
198163-27760	26	11
198163-27770	26	12
198163-27790	26	13
198163-27791	26	13 -1
198163-27840	26	15
198163-27870	26	6
198163-27910	24	17
	26	16
198163-43310	36	1
198163-45610	38	2
198163-47360	39	12
198163-47370	39	14
198163-47800	39	34
198163-48170	40	2
198163-51310	1	30

PARTS No.	Fig.	Ref.No.
198163-62110	47	12
198163-62700	48	13
198163-63212	49	4
198163-65270	51	14
		15
198163-65310	52	1
198163-65780	52	2
198163-65930	52	3
198163-65940	52	4
198163-85301	54	1
198163-85351	54	2
198163-85701	54	6
198164-00600	1	5
198164-00620	1	10
198164-00630	1	11
198164-00720	1	23
198164-00730	1	24
198164-11140	5	1
198164-12310	6	1
198164-13610	9	7
198164-13760	10	3
198164-13770	10	4
198164-13780	10	9
198164-15750	15	1
198164-15760	15	3
198164-15770	15	4
198164-15780	15	2
198164-17410	15	8
198164-17420	15	9
198164-17450	15	10
198164-17461	15	11
198164-17470	15	13
198164-17500	15	15
198164-17540	16	2
198164-17660	16	5
198164-17670	16	6
198164-17710	16	7
198164-17720	16	8
198164-17780	16	12
198164-17810	16	20
198164-17830	16	21
198164-17850	16	22
198164-17900	16	24
198164-24510	19	26
198164-31340	27	1
198164-33410	30	1
198164-33420	30	2
198164-33510	30	5
198164-34700	31	1
198164-34710	31	2



## PARTS No. INDEX

PARTS No.	Fig.	Ref.No.
198164-34710	31	6
198164-34750	31	5
198164-37651	33	14
198164-48160	40	1
198164-51211	41	9
198164-51310	42	7
198164-51500	42	1
198164-56120	44	4
198164-56140	44	5
198164-56600	44	1
198164-61100	45	5
198164-61580	46	8
198164-62330	47	16
198164-65190	51	6
198164-65220	51	7
198164-81411	53	1
198165-01130	2	4
198165-04380	45	2
198165-13101	7	1
198165-13830	10	10
198165-17310	15	7
198165-17350	15	6 A
198165-17481	15	14
198165-17711	16	18
198165-17731	15	16
198165-17741	15	17
198165-17781	16	19
198165-17790	15	18
198165-21450	17	13
198165-24120	19	3
198165-24121	19	3 -1
198165-24330	19	25
198165-24440	9	11
	16	13
198165-24490	9	12
	16	14
198165-26270	23	2
198165-27350	24	6
	26	3
198165-27360	25	20
198165-32311	27	14
198165-32610	28	2
198165-32620	28	3
198165-42120	34	5
198165-61810	45	21
198165-61850	45	22
198167-17300	15	6
198220-45340	38	1
198220-45350	38	23
198220-45370	38	24

PARTS No.	Fig.	Ref.No.
198220-45630	38	4
198220-46400	38	25
198220-62150	48	1
198220-62890	48	14
198240-62451	48	2
198290-26860	19	5
198290-32750	28	7
198327-47930	24	18
198421-00640	1	13
198421-00650	1	14
198421-00670	1	20
198421-00681	1	21
198421-01110	2	2
198421-01120	2	3
198421-01130	2	5
198421-01140	2	6
198421-01220	2	21
198421-01250	2	8
198421-04400	3	12
198421-04410	3	13
198421-04420	3	14
198421-04430	3	4
198421-04440	3	17
198421-04450	3	18
198421-13120	7	2
198421-13221	7	6
198421-13240	7	8
198421-13510	9	1
198421-13520	9	2
198421-13530	9	3
	11	1
198421-13630	9	9
198421-13650	9	10
	23	21
198421-13710	10	5
198421-13730	10	1
198421-13740	10	2
198421-13750	10	6
198421-13810	11	2
198421-13820	11	3
198421-13830	11	4
198421-13910	12	1
198421-13920	12	2
198421-14110	13	3
198421-14120	13	4
198421-14130	13	5
198421-14142	13	6
198421-14610	8	5
198421-14620	8	6
198421-14630	8	7

PARTS No.	Fig.	Ref.No.
198421-22110	17	17
198421-22151	18	2
198421-22152	18	2 -1
198421-22440	18	13
198421-24910	19	30
198421-25231	21	6
198421-25250	21	9
198421-25800	22	9
198421-25810	22	11
198421-25820	22	13
198421-27110	24	2
	25	3
	26	2
198421-27160	25	8
198421-27170	25	9
198421-27180	25	10
198421-27190	25	11
198421-27200	25	12
198421-27220	25	14
198421-27240	24	5
	25	16
198421-27521	24	9
198421-31510	27	3
198421-31530	27	5
198421-31550	27	6
198421-32320	27	15
198421-32330	27	16
198421-32340	27	17
198421-32630	28	4
198421-32660	28	6
198421-33110	29	1
198421-33120	29	2
198421-33140	29	4
198421-33150	29	5
198421-33170	29	6
198421-34110	30	7
198421-36310	32	1
198421-36321	32	2
	7	
198421-36330	32	3
198421-36410	32	9
198421-36430	32	10
198421-37511	18	19
	33	10
198421-37550	33	11
198421-37750	33	17
198421-42102	34	1
198421-42200	55	9
198421-42220	55	11
198421-43410	36	4

PARTS No.	Fig.	Ref.No.
198421-44110	36	5
198421-44211	36	6
198421-44230	36	7
198421-44250	36	8
198421-44410	36	9
198421-45440	37	14
198421-46302	38	12
198421-48240	40	5
198421-52190	42	10
198421-56150	44	7
198421-56190	44	8
198421-56200	44	9
198421-56601	44	11
198421-56910	44	13
198421-61280	4	15
198421-61380	45	10
198421-61460	45	15
198421-61470	45	16
198421-61510	45	19
198421-61540	45	20
198421-61620	46	10
198421-62410	47	17
198421-63140	49	3
198421-64150	50	2
198421-65030	51	1
198425-13620	9	8
198425-22450	18	14
	55	5
198425-22480	18	15
	55	6
198425-22500	55	4
198425-22510	55	7
198425-24110	19	2
198425-27213	25	13
198425-27230	25	15
198425-27290	25	19
198425-32640	28	5
198425-34730	30	8
198425-37760	33	18
198425-42220	35	1
198425-51180	41	6
198425-51190	41	7
198425-51200	41	8
198425-53110	43	3
198425-53150	43	4
198425-53160	43	5
198425-63270	49	5
198425-64101	50	1
198431-44510	39	1
198431-45560	37	18

## PARTS No. INDEX

PARTS No.	Fig.	Ref.No.
198431-47320	39	5
198431-47330	39	6
198431-47340	39	8
198431-47350	39	10
198431-47390	39	15
198431-47400	39	16
198431-47420	39	17
198431-47430	39	18
198431-47470	39	21
198431-47480	39	22
198431-47520	39	24
198431-47750	47	9
198431-47760	47	10
198431-47870	39	37
198431-48220	40	3
198435-16230	5	7
198435-24280	19	4
198435-24290	19	23
198435-25130	20	5
198435-25240	21	7
198435-25280	21	10
198435-25310	21	11
198435-25720	22	3
198435-25730	22	4
198435-25790	22	8
198435-25801	22	10
198435-25810	22	12
198435-27142	25	6
198435-27151	25	7
198435-27260	25	17
198435-27551	24	12
198435-27740	26	10
198435-45101	37	1
198435-47310	39	4
198435-47350	39	11
198435-47490	39	23
198435-47530	39	26
198435-47540	39	27
198435-47550	39	28
198435-47560	39	29
198435-47580	39	30
198435-47710	47	8
198435-48231	40	4
198435-62410	49	1
198435-65220	51	11
198435-65230	51	12
198435-65240	51	13
198511-53430	43	7
198511-53450	43	8
198531-14720	14	2

PARTS No.	Fig.	Ref.No.
198531-14720	14	7
198531-14740	14	3
		8
198531-14750	14	4
		9
198531-26310	23	24
198531-34730	31	3
		7
1A1040-26320	25	2
1A1040-36010	30	10
1A1040-36040	30	11
1A6150-91251	52	5
1A6150-93151	52	6
1A6640-45230	37	5
1A6640-65530	51	18
1A6750-61830	29	7
1A6750-62300	47	15
1A6750-65590	51	8
1A6770-65630	51	19
1A6780-31500	27	2
1A6780-31520	27	4
1A7050-13230	7	7
1A7720-53200	45	4
1A7740-62100	47	13
1A7870-24980	19	32 -1
1C1100-21010	15	5
1C6053-32020	33	7
1C6140-14050	33	2
1C6281-52320	26	23 -1
	33	21
1C6320-16440	33	3
1C6360-82210	33	24
1C6460-36151	44	3
1C6460-38240	4	14
	46	1
1C6560-05450	41	1
1C6560-06300	41	2
1C6560-13470	18	1
1C6560-75311	45	25
1C6650-35150	47	6
1C6820-42520	43	12
1C6860-06980	1	27
1C6900-07200	42	6
1C6900-23120	10	11
1C6900-23150	10	12
1C6950-45410	33	20
1C7100-08150	43	11
1E4070-14040	21	2
1E6140-56230	25	21
1E6190-54080	10	13

PARTS No.	Fig.	Ref.No.
1E6190-54160	23	25
1E6210-82580	42	4
1W3852-00940	44	2
795450-27900	55	1
798163-05370	4	3
798163-05380	4	2
798163-61540	46	3
798163-62670	48	12
798531-14710	14	1
798531-14810	14	6

PARTS No.	Fig.	Ref.No.
-----------	------	---------



***YANMAR CO.,LTD.***